

# BONALDO

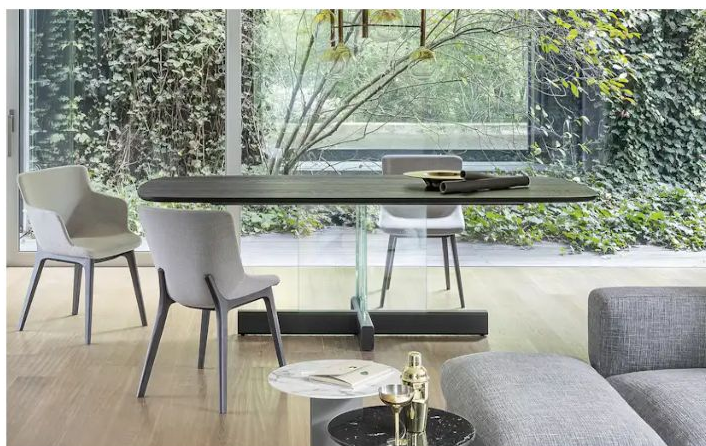
## Cross Table, Cross Table Glass

Designer: **Alain Gilles**

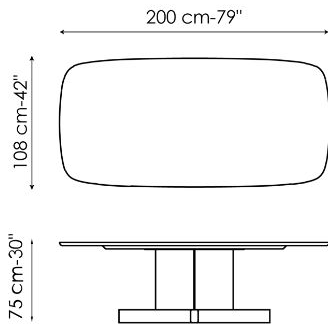


The top of the Cross Table rests only on a thin structure, but it is the wooden base in the shape of a cross that gives the table its solidity and structural force. The design of the modern wood table offers a collective vision in which the role of each element emerges in relation to the others in an appealing contrast between straight lines and soft curves, between masculinity and femininity. The three different and distinct elements that compose it offer the possibility of creating various combinations of finishes and colours, from

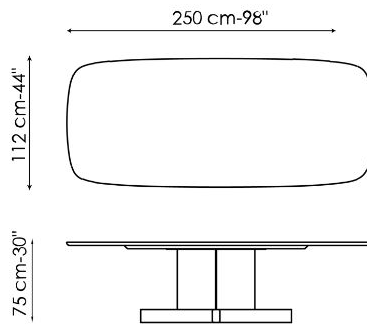
the most original to the most understated, thereby creating a highly customisable accessory. The top is available in wood, ceramic or marble while a wide range of variants is also available for the finishes of the base, including elegant bronze, lead and pearl gold shades. It is also possible to choose from among three different wood variants for the lower cross. In the Cross Table Glass version, the central base is in transparent glass.



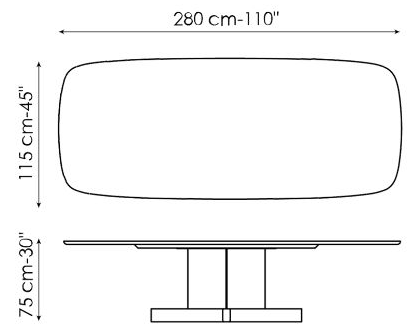
# Data sheet



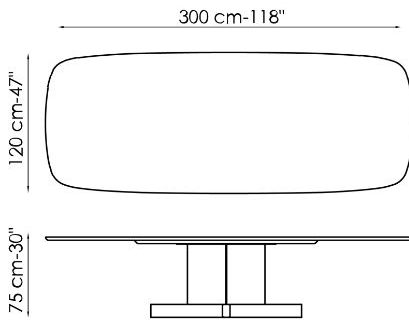
Width: 200cm  
Depth: 108cm  
Height: ± 75cm



Width: 250cm  
Depth: 112cm  
Height: ± 75cm



Width: 280cm  
Depth: 115cm  
Height: ± 75cm



Width: 300cm  
Depth: 120cm  
Height: ± 75cm

# Finishes

## TOP - CROSS TABLE

### Wood



**Veneered wood**  
Walnut Canaletto



**Solid wood**  
Brushed coal oak



**Solid wood**  
American walnut



**Solid wood**  
Brushed natural oak

### Ceramic



**Glossy ceramic**  
Calacatta



**Silk finish ceramic**  
Calacatta macchia  
vecchia



**Mat ceramic**  
Ardesia grey



**Mat ceramic**  
Laurent



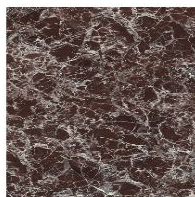
**Glossy ceramic**  
Imperial grey



**Glossy ceramic**  
Black Onyx



**Glossy ceramic**  
Mountain peak



**Glossy ceramic**  
Rosso imperiale

## Marble



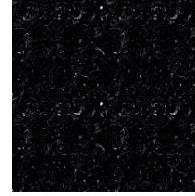
**Marble**  
Calacatta



**Marble**  
Carrara



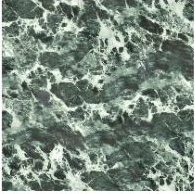
**Marble**  
Emperador



**Marble**  
Marquina



**Marble**  
Rosso Carpazi



**Marble**  
Saint Denis



**Marble**  
Fior di bosco

---

# TOP - CROSS TABLE GLASS

## Wood



**Veneered wood**  
Walnut Canaletto



**Solid wood**  
American walnut



**Solid wood**  
Brushed coal oak



**Solid wood**  
Brushed natural oak

## Ceramic



**Mat ceramic**  
Ardesia grey



**Glossy ceramic**  
Calacatta



**Silk finish ceramic**  
Calacatta macchia  
vecchia



**Mat ceramic**  
Laurent



**Glossy ceramic**  
Imperial grey



**Glossy ceramic**  
Black Onyx



**Glossy ceramic**  
Mountain peak

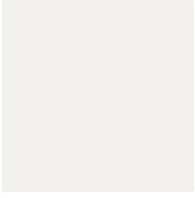


**Glossy ceramic**  
Rosso imperiale

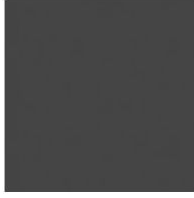
---

## CENTRAL BASE

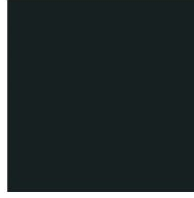
Metal



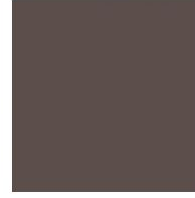
**Painted metal**  
Mat white



**Painted metal**  
Supreme anthracite



**Painted metal**  
Mat black



**Painted metal**  
Mat brown



**Painted metal**  
Mat dove grey

Plus Metal



**Painted metal**  
Mat pearl gold



**Painted metal**  
Mat brass



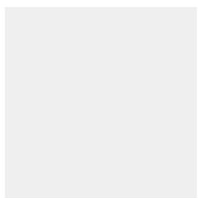
**Painted metal**  
Mat copper

Special Metal



**Metal finish**  
Burnished

## Transparent Glass



**Glass**  
Transparent

---

## LOWER CROSS BASE

### Wood



**Solid wood**  
American walnut



**Solid wood**  
Brushed coal oak



**Solid wood**  
Brushed natural oak

---

Materials, fabrics, leathers, colors and finishes are approximate and may slightly differ from actual ones. You can find the complete collection of Bonaldo fabrics and leathers on the website <https://www.bonaldo.biz/>

