

BONALDO

Boolean armchair

Designer: **Giuseppe Viganò**

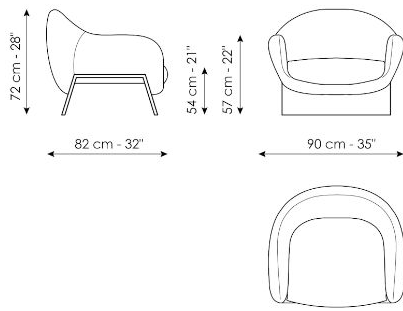


The Boolean armchair was created to accompany the sofa with the same name: if on the one hand it is easy to recognise the same technical virtuosity of full and empty spaces dictated by the bridge base that characterizes its design, on the other it presents a soft and curvilinear profile that highlights its personality, both in combination with the sofa

and as a stand-alone product, capable of playing a leading role in any living space. The Boolean armchair is available in fabric or leather, while for the base it is possible to choose between two types of wood: elegant carbon oak or welcoming Canaletto walnut.



Data sheet



Boolean armchair

Width: 82cm

Depth: 90cm

Height: 72cm

Finishes

BASE

Wood



Veneered wood
Coal oak



Veneered wood
Walnut Canaletto

Materials, fabrics, leathers, colors and finishes are approximate and may slightly differ from actual ones. You can find the complete collection of Bonaldo fabrics and leathers on the website

