

BONALDO

Prora

Designer: **Mauro Lipparini**

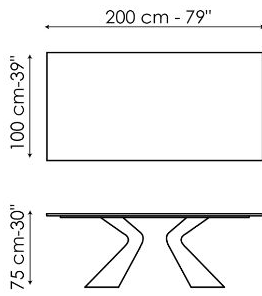


The powerful, inclined profile of the base, which recalls the bow of a ship, creates a dynamic, striking presence that becomes the central feature of rooms, both furnishing and at the same time optimising the seating space of the furniture dining table. The numerous finishes available for the base and the top allow the option of full personalisation without compromising the purity of the design and, instead,

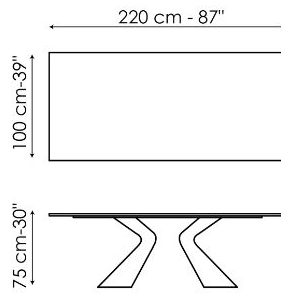
amplifying the artistic value. The top is made in different sizes in the rectangular and barrel versions, and is available either fixed or extendable. In the latter version, the two independent side extensions enable the surface length to be easily increased, maintaining excellent stability and solidity without sacrificing a clean-cut and sought-after aesthetic.



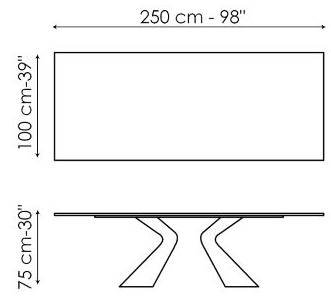
Data sheet



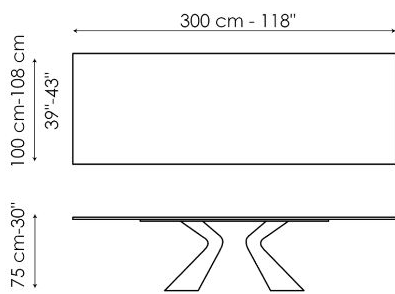
Width: 200cm
Depth: 100cm
Height: ± 75cm



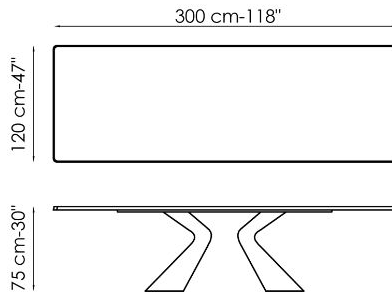
Width: 220cm
Depth: 100cm
Height: ± 75cm



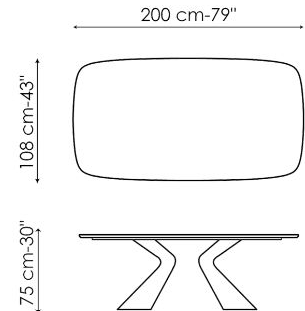
Width: 250cm
Depth: 100cm
Height: ± 75cm



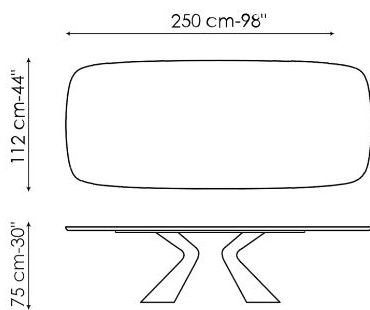
Width: 300cm
Depth: 100-108cm
Height: ± 75cm



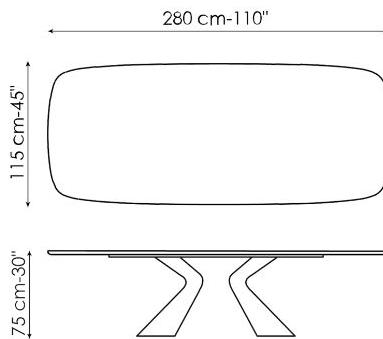
Width: 300cm
Depth: 120cm
Height: ± 75cm



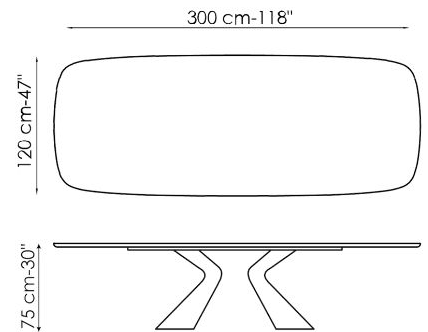
Width: 200cm
Depth: 108cm
Height: ± 75cm



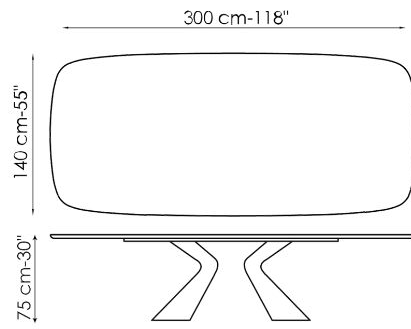
Width: 250cm
Depth: 112cm
Height: ± 75cm



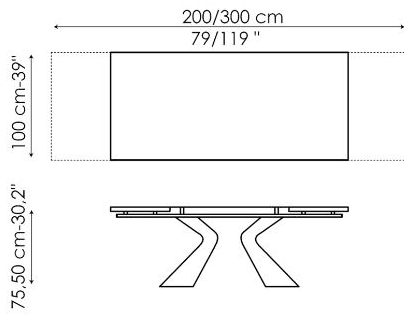
Width: 280cm
Depth: 115cm
Height: ± 75cm



Width: 300cm
Depth: 120cm
Height: ± 75cm



Width: 300cm
Depth: 140cm
Height: ± 75cm



Width: 200-300cm
Depth: 100cm
Height: ± 75cm

Finishes

RECTANGULAR TOP

Wood



Veneered wood
Walnut Canaletto



Veneered wood
Brushed natural oak



Veneered wood
Brushed coal oak



Solid wood
Brushed coal oak



Solid wood
Brushed natural oak



Solid wood
American walnut



Wood with natural edges
American walnut

Ceramic



Mat ceramic
Ardesia grey



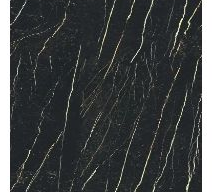
Glossy ceramic
Calacatta



Silk finish ceramic
Calacatta macchia
vecchia



Mat ceramic
Graphite grey



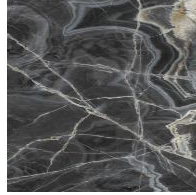
Mat ceramic
Laurent



Mat ceramic
Iridium white



Glossy ceramic
Imperial grey



Glossy ceramic
Black Onyx

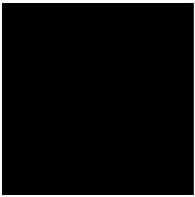


Glossy ceramic
Mountain peak



Glossy ceramic
Rosso imperiale

Opaque Glass



Glass
Acid-treated black



Glass
Extra-light acid-
treated white

BARREL-SHAPED TOP

Wood



Veneered wood
Walnut Canaletto



Solid wood
American walnut



Solid wood
Brushed coal oak



Solid wood
Brushed natural oak

Ceramic



Mat ceramic
Ardesia grey



Glossy ceramic
Calacatta



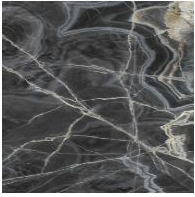
Silk finish ceramic
Calacatta macchia
vecchia



Mat ceramic
Laurent



Glossy ceramic
Imperial grey



Glossy ceramic
Black Onyx



Glossy ceramic
Mountain peak



Glossy ceramic
Rosso imperiale

Marble



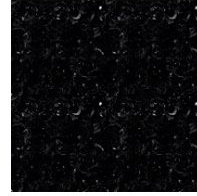
Marble
Calacatta



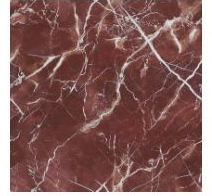
Marble
Carrara



Marble
Emperador



Marble
Marquinia



Marble
Rosso Carpazi



Marble
Saint Denis



Marble
Fior di bosco

LEAF TABLE TOP

Ceramic



Mat ceramic
Ardesia grey



Mat ceramic
Graphite grey



Mat ceramic
Iridium white



Glossy ceramic
Calacatta



Silk finish ceramic
Calacatta macchia
vecchia



Mat ceramic
Laurent



Glossy ceramic
Imperial grey



Glossy ceramic
Black Onyx



Glossy ceramic
Mountain peak



Glossy ceramic
Rosso imperiale

Wood



Veneered wood
Walnut Canaletto



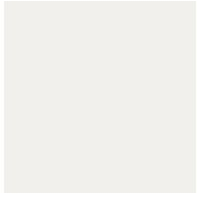
Veneered wood
Brushed coal oak



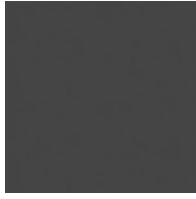
Veneered wood
Brushed natural oak

BASE

Metal



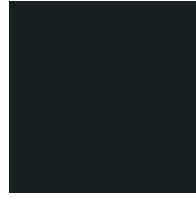
Painted metal
Mat white



Painted metal
Supreme anthracite



Painted metal
Mat brown



Painted metal
Mat black



Painted metal
Mat dove grey

Plus Metal



Painted metal
Mat bronze



Painted metal
Mat lead



Painted metal
Mat pearl gold



Painted metal
Mat brass



Painted metal
Mat copper

Special Metal



Metal finish
Burnished



Metal finish
Copper-bronze

Materials, fabrics, leathers, colors and finishes are approximate and may slightly differ from actual ones. You can find the complete collection of Bonaldo fabrics and leathers on the website <https://www.bonaldo.biz/>

