

## REF.

SAT SP LED DIM UL

## LIGHT SOURCE



120 - 277V: Dimmable 0-10V & TRIAC

### Driver:

Constant Current 700mA

### LED Integrated:

Led module

2700K, CRI90, 25W, 50-60Hz, 1782 lm\*

4000K, CRI90, 25W, 50-60Hz, 2061 lm\*

\*Measurements obtained by photometric laboratory tests using ivory white shades. Veneer Ref: 20 Ivory White.

## PACKAGING

Box Size: 24 x 24 x 13"

Box Volume: 4,5 ft<sup>3</sup>

Weight: Gross - 16,1 Lb | Net - 6,8 Lb

## MATERIALS & COMPONENTS

Wood Veneer Shade

- White Top Diffuser

Black is available if you want no upward light diffusion

- Matt Satin Acrylic Bottom Diffuser

Nickel Metal Canopy: ø 6,7"

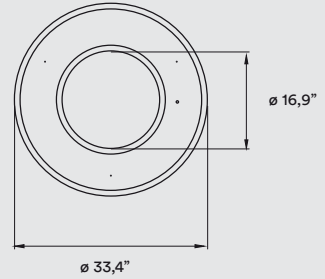
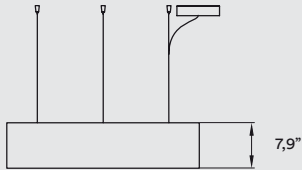
3 Steel Cables: 8 ft drop

Transparent Electrical Cable: 8 ft drop

## FINISHES

### WOOD VENEER

- |   |                   |  |              |
|---|-------------------|--|--------------|
|  | 20 Ivory White    |  | 28 Blue      |
|  | 21 Natural Cherry |  | 29 Grey      |
|  | 22 Natural Beech  |  | 30 Turquoise |
|  | 24 Yellow         |  | 31 Chocolate |
|  | 25 Orange         |  | 33 Pale Rose |
|  | 26 Red            |  |              |

**REF.**

SAT SM LED DIM UL

**LIGHT SOURCE**

120 - 277V: Dimmable 0-10V &amp; TRIAC

**Driver:**

Constant Current 1400mA

**LED Integrated:**

Led module

2700K, CRI90, 57W, 50-60Hz, 4216 lm\*

4000K, CRI90, 57W, 50-60Hz, 4777 lm\*

\*Measurements obtained by photometric laboratory tests using ivory white shades. Veneer Ref: 20 Ivory White.

**PACKAGING**

Box Size: 46 x 45 x 20" - Wood crated for transport

Box Volume: 23,6 ft<sup>3</sup>

Weight | Gross: 87,1 Lb | Net - 17,4 Lb

**MATERIALS & COMPONENTS**

Wood Veneer Shade

- White Top Diffuser

Black is available if you want no upward light diffusion

- Matt Satin Acrylic Bottom Diffuser

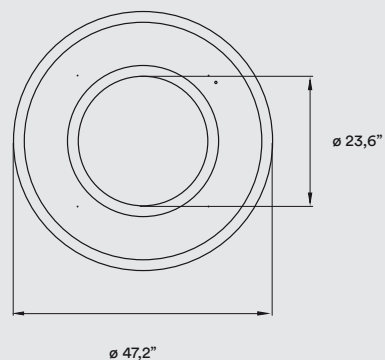
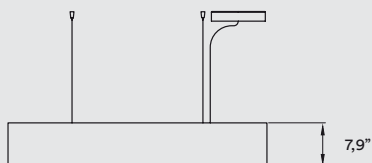
Nickel Metal Canopy:  $\varnothing$  6,7"

3 Steel Cables: 8 ft drop

Transparent Electrical Cable: 8 ft drop

**FINISHES****WOOD VENEER**

- |   |                   |  |              |
|---|-------------------|--|--------------|
|  | 20 Ivory White    |  | 28 Blue      |
|  | 21 Natural Cherry |  | 29 Grey      |
|  | 22 Natural Beech  |  | 30 Turquoise |
|  | 24 Yellow         |  | 31 Chocolate |
|  | 25 Orange         |  | 33 Pale Rose |
|  | 26 Red            |  |              |

**REF.**

SAT SG LED DIM UL

**LIGHT SOURCE**

120 - 277V: Dimmable 0-10V &amp; TRIAC

**Drivers:**

- Constant Current 1400mA
- Constant Current 700mA

**LED Integrated:**

Led module

2700K, CRI90, 85W, 50-60Hz, 6325 lm\*

4000K, CRI90, 85W, 50-60Hz, 7165 lm\*

\*Measurements obtained by photometric laboratory tests using ivory white shades. Veneer Ref: 20 Ivory White.

**PACKAGING**

Box Size: 55 × 55 × 15" - Wood crated for transport

Box Volume: 25,2 ft<sup>3</sup>

Weight | Gross: 121,9 Lb | Net - 33,7 Lb

**MATERIALS & COMPONENTS**

Wood Veneer Shade


- White Top Diffuser  
Black is available if you want no upward light diffusion
- Matt Satin Acrylic Bottom Diffuser

Nickel Metal Canopy: ø 9,1"

4 Steel Cables: 8 ft drop

Transparent Electrical Cable: 8 ft drop

**FINISHES****WOOD VENEER**

- |   |                   |   |              |
|---|-------------------|---|--------------|
|  | 20 Ivory White    |  | 28 Blue      |
|  | 21 Natural Cherry |  | 29 Grey      |
|  | 22 Natural Beech  |  | 30 Turquoise |
|  | 24 Yellow         |  | 31 Chocolate |
|  | 25 Orange         |  | 33 Pale Rose |
|  | 26 Red            |   |              |