



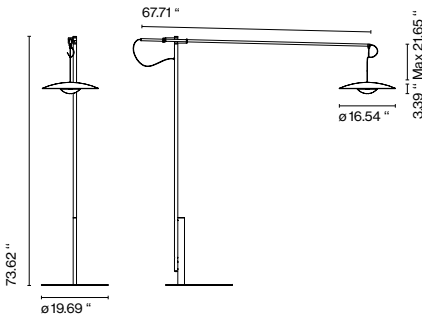
LED-Ginger

Joan Gaspar

marset



LED-Ginger XL 42



Wood is an old ally of cozy lighting. It is a material that is hard to mold, a challenge that the LED-Ginger collection neatly resolves. The combination of sheets of wood and paper pressed together under high pressure achieves a laminate that appears almost entirely flat.

LED-Ginger XL 42

Light Source:
LED SMD 700mA 16.28W
2700K CRI90 1873lm

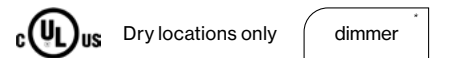
Luminaire:
85 - 264 VAC 698lm

LED included

- Oak
- Wenge

Black electrical cord

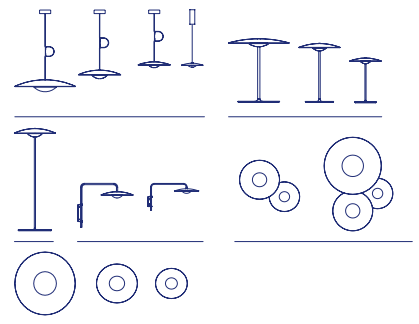
Pressed wood diffuser of 4 mm in natural oak or wenge. Injected aluminum dissipater, metal stem and base in lacquered black matte. Movable arm made of carbon fiber, lacquered in black matte.



* Foot-operated progressive in-line dimmer.

- [Download](#) Assembly Instructions
- [Download](#) Photometric Data
- [Download](#) 2D
- [Download](#) 3D

Range



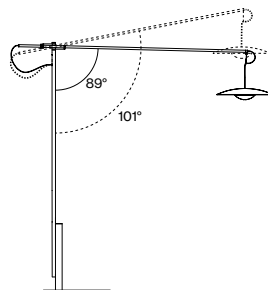
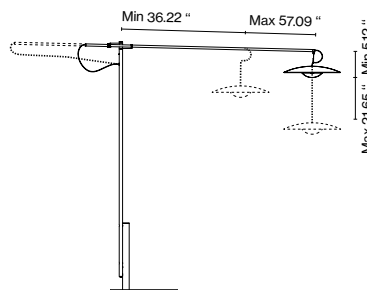
⚠ WARNING. California Proposition 65 Warning for California Consumers. This product can expose you to chemicals including wood dust and lead which are known to the State of California to cause cancer or birth defects or other reproductive harm. For more information go to www.P65Warnings.ca.gov

Watch the video marsetusa@marset.com
www.marset.com

With an original system to orient and suspend it, the LED-Ginger lampshade hangs from a structure that replaces the ceiling. The system allows the lamp to slide forward and backward and to be folded to either size. The carbon fiber arm has two possible movements depending on the pre-established position of the pivot joint. It is altogether striking, spectacular yet contained. It comes in two sizes to fit the needs of different spaces.



Range of positions



How LED-Ginger illuminates

LED-Ginger XL 42

