

BONALDO

Bruno

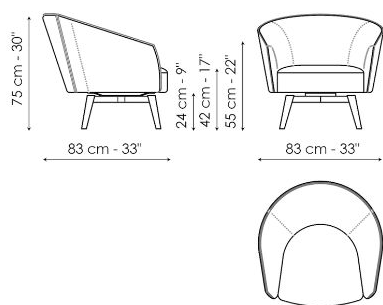


Bruno is a furniture armchair with a line featuring sobriety, but which is reminiscent of design tradition. The generous padding and curved shapes make its image pleasantly soft. The aesthetic appeal is accentuated by the edge of the armrests and backrest which, in a single line, lead to a unique game of materials and combinations, thereby creating a high-

impact optical effect. The upholstery, in fabric or leather, is completely removable. It is also available in the quilted version, named Bruno ego and it is also possible to choose three different bases for the Bruno armchair: base with feet, base with rod and upholstered base.

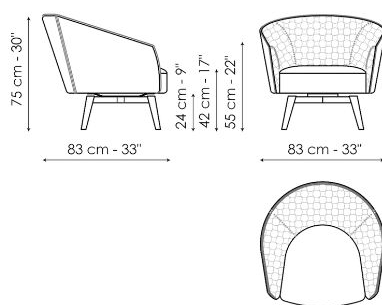


Data sheet



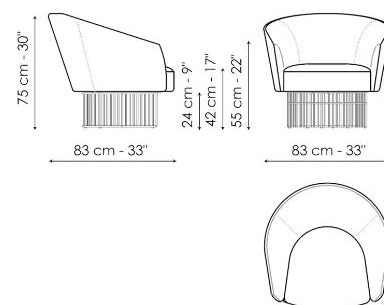
Bruno - feet

Width: 83cm
Depth: 83cm
Height: 75cm



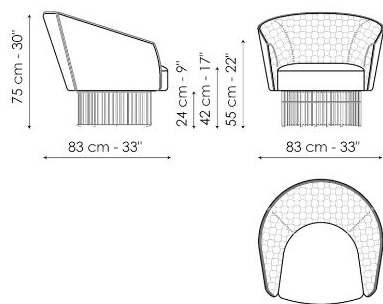
Bruno ego - feet

Width: 83cm
Depth: 83cm
Height: 75cm



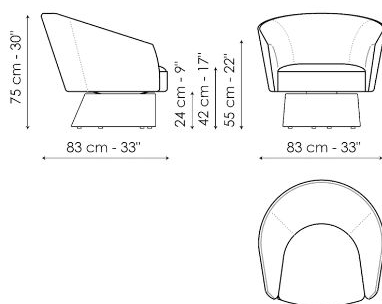
Bruno - base

Width: 83cm
Depth: 83cm
Height: 75cm



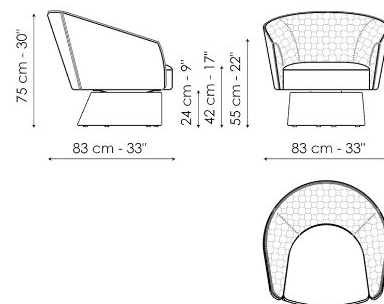
Bruno ego - base

Width: 83cm
Depth: 83cm
Height: 75cm



Bruno - covered base

Width: 83cm
Depth: 83cm
Height: 75cm



Bruno ego - covered base

Width: 83cm
Depth: 83cm
Height: 75cm

Finishes

FEET - BASE

Metal



Painted metal
Mat white



Painted metal
Mat dove grey



Painted metal
Mat anthracite grey



Painted metal
Mat black



Metal
Supreme anthracite

Plus Metal



Painted metal
Mat bronze



Painted metal
Mat lead



Painted metal
Mat pearl gold

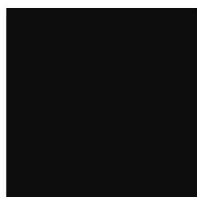
Special Metal



Metal finish
Clouded chrome



Metal finish
Brown nickel



Metal finish
Dark nickel

