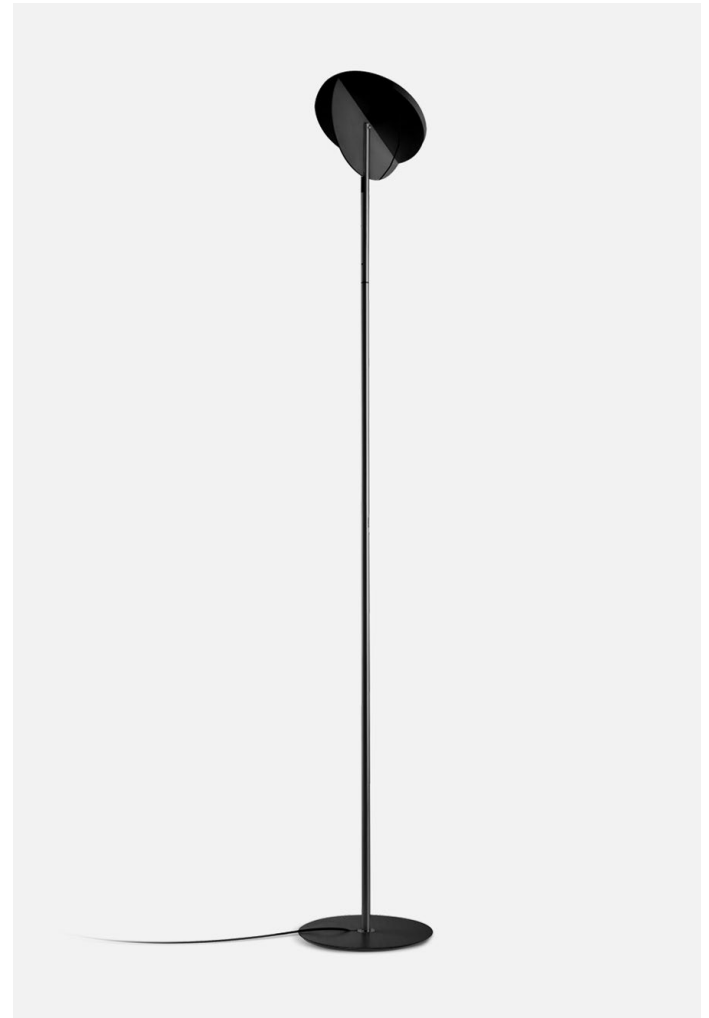




Copérnica

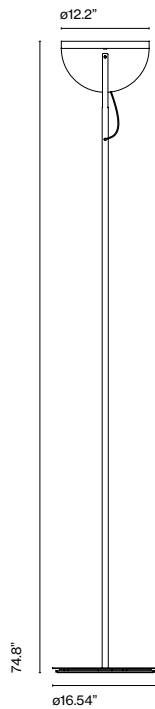
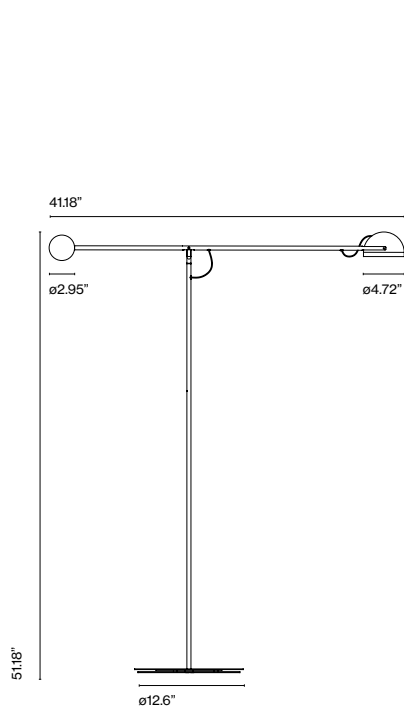
Ramírez i Carrillo

marset



Copérnica P

Copérnica P190



Copérnica P

Light Source:
LED SMD 24Vdc 4.7W
2700K CRI90 491lm
Luminaire:
85 - 264 VAC 7W 416lm

Copérnica P190

Light Source:
LED SMD 1050mA 40W
2700K CRI90 5108lm
Luminaire:
220 - 240 VAC 29W 2302lm

LED included

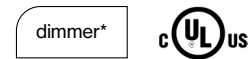
Structure in satin nickel or graphite with the base and counterweight in lacquered steel. Tiltable difusser in aluminum with a built-in switch.

Copérnica P

- Graphite - Golden - Black
- Graphite - Satin nickel - Black
- Graphite - Red - Black

Copérnica P190

- Graphite - Black



- * 3 positions dimmer (Copernica P)
- * Progressive dimmer (Copernica P190)

- [Download](#) Assembly instructions
- [Download](#) 2D
- [Download](#) 3D
- [Download](#) Photometric data

WARNING. California Proposition 65 Warning for California Consumers. This product can expose you to chemicals including wood dust and lead which are known to the State of California to cause cancer or birth defects or other reproductive harm. For more information go to www.P65Warnings.ca.gov

Dry locations only
Watch the video
info@marset.com

The collection consists of desktop and standing versions that play with counterweights of mixed materials and density, such as steel and aluminum. This design allows one to move the lamp with great precision, providing a wide range of heights, distances, and adjustments to the beam of light to suite one's taste.