

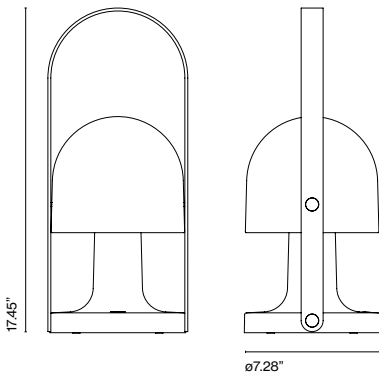


# **FollowMe Plus** **Inma Bermúdez**

**marset**



**FollowMe Plus**



**FollowMe Plus**

LED SMD 3.2W 1A 2700K 5V  
 Delivered lumens - 290lm  
 (included)

● White-Oak

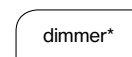
Battery life:  
 5 hours in peak power  
 10 hours in half power  
 20 hours in a quarter power

Battery charging time: 10h.

**Watch the video**

marsetusa@marset.com  
 www.marset.com

**Rocking opal diffuser and white matte polycarbonate body. Plywood handle with natural oak veneer, brass switch and construction details. Five hours of battery life at peak performance.**



\* 3 positions dimmer

Dry locations only

- [Download](#) Assembly instructions
- [Download](#) 2D
- [Download](#) 3D
- [Download](#) Photometric data

**⚠ WARNING.** California Proposition 65 Warning for California Consumers. This product can expose you to chemicals including wood dust and lead which are known to the State of California to cause cancer or birth defects or other reproductive harm. For more information go to [www.P65Warnings.ca.gov](http://www.P65Warnings.ca.gov)

FollowMe Plus complements its classic predecessor. While the original size is perfect for cozy areas, the Plus reproduces the same warmth and quality of light with greater power. This version stands out for its ability to create entire atmospheres, and is great as a table lamp, desk lamp, or even on the floor.