


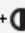
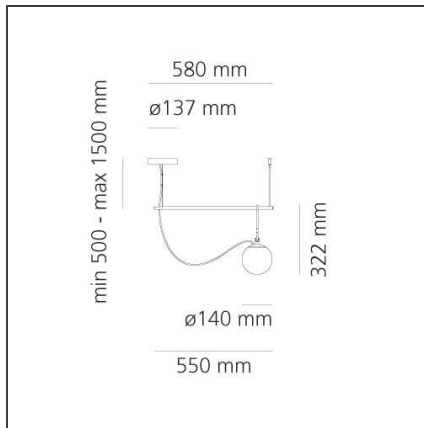


nh S1 14



IP20    Dimmerable: 

TECHNICAL DRAWINGS



DESIGN BY

Neri&Hu

DESCRIPTION

nh continues the research on the dynamic interaction of experience, details, materials, form, and light that Neri&Hu are pursuing with Artemide. It offers a reinterpretation of the Oriental culture and tradition with a constant contemporary approach. nh is operated intuitively as a reference to the use of lanterns, and allows freedom in creating countless lightscapes. It is an essential, versatile element, suited to illuminate a variety of contexts in a simple and poetic manner. The basic element of nh, a white blown glass sphere with a brass ring, evolves with structures that support it and combine to bring light into space. The selected materials represent a perfect combination of tradition and innovation, as well as the expression of responsible and sustainable design.

FEATURES

Article Code:	1272010A	Material:	Blown glass, brushed brass
Colour:	Black/brass	Series:	Design, 2018
Installation:	Suspension		Artemide Collection
Environment:	Indoor		

DIMENSIONS

Length:	cm 55	Max Extension Length:	cm 58
Height:	cm 32.2		
Base Diameter:	cm 13.7		
Max Extension Height:	cm 150		

SOURCES NOT INCLUDED

Category:	LED	Color temperature (K):	3000K
Number:	1	Efficacy:	64lm/W
Watt:	5W		
Delivered lumens output (lm):	257lm		
Type:	2		
Socket:	E14		

LUMINAIRE





Watt:	5W	Delivered lumens output (lm):	257lm
Voltage:	220-240V	CCT:	3000K
		Efficiency:	80%
		Efficacy:	64lm/W
		CRI:	80

Notes

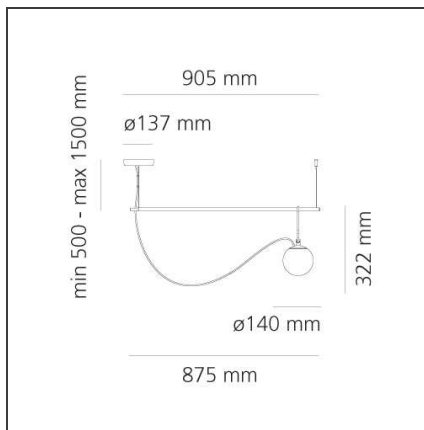
The glass ball and brass rings can slide along the rod. The light intensity can only be adjusted with dimmable bulbs. Maximum bulb length 80mm. Maximum bulb diameter: 50mm.

nh S2 14



IP20    Dimmerable: 

TECHNICAL DRAWINGS



DESIGN BY

Neri&Hu

DESCRIPTION

nh continues the research on the dynamic interaction of experience, details, materials, form, and light that Neri&Hu are pursuing with Artemide. It offers a reinterpretation of the Oriental culture and tradition with a constant contemporary approach. nh is operated intuitively as a reference to the use of lanterns, and allows freedom in creating countless lightscares. It is an essential, versatile element, suited to illuminate a variety of contexts in a simple and poetic manner. The basic element of nh, a white blown glass sphere with a brass ring, evolves with structures that support it and combine to bring light into space. The selected materials represent a perfect combination of tradition and innovation, as well as the expression of responsible and sustainable design.

FEATURES

Article Code:	1274010A	Material:	Blown glass, brushed brass
Colour:	Black/brass	Series:	Design, 2018
Installation:	Suspension		Artemide Collection
Environment:	Indoor		

DIMENSIONS

Length:	cm 90.5
Width:	cm 14
Height:	cm 32.2
Base Diameter:	cm 13.7
Max Height from ceiling:	cm 150

SOURCES NOT INCLUDED

Category:	LED	Color temperature (K):	3000K
Number:	1	Efficacy:	64lm/W
Watt:	5W		
Delivered lumens output (lm):	257lm		
Type:	2		
Socket:	E14		

LUMINAIRE

Watt:	5W	Delivered lumens output (lm):	257lm
Voltage:	220-240V	CCT:	3000K
		Efficiency:	80%
		Efficacy:	64lm/W
		CRI:	80

Notes

The glass ball and brass rings can slide along the rod. The light intensity can only be adjusted with dimmable bulbs. Maximum bulb length 80mm. Maximum bulb diameter: 50mm.

nh S1 22



IP20 Dimmerable:

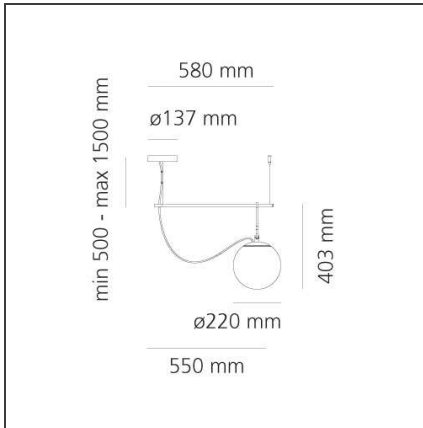
DESIGN BY

Neri&Hu

DESCRIPTION

nh continues the research on the dynamic interaction of experience, details, materials, form, and light that Neri&Hu are pursuing with Artemide. It offers a reinterpretation of the Oriental culture and tradition with a constant contemporary approach. nh is operated intuitively as a reference to the use of lanterns, and allows freedom in creating countless lightscapes. It is an essential, versatile element, suited to illuminate a variety of contexts in a simple and poetic manner. The basic element of nh, a white blown glass sphere with a brass ring, evolves with structures that support it and combine to bring light into space. The selected materials represent a perfect combination of tradition and innovation, as well as the expression of responsible and sustainable design.

TECHNICAL DRAWINGS



FEATURES

Article Code:	1273010A	Material:	Blown glass, brushed brass
Colour:	Black/brass	Series:	Design, 2018
Installation:	Suspension		Artemide Collection
Environment:	Indoor		

DIMENSIONS

Length:	cm 55	Max Extension Length:	cm 58
Width:	cm 22	Impact Resistance:	850
Height:	cm 40.3		
Base Width:	cm 2.8		
Base Diameter:	cm 13.7		
Max Height from ceiling:	cm 150		

SOURCES NOT INCLUDED

Category:	LED	Color temperature (K):	3000K
Number:	1	CRI:	80
Watt:	15W	Efficacy:	85lm/W
Delivered lumens output (lm):	1142		
Type:	2		
Socket:	E27		

LUMINAIRE





Watt:	15W	Delivered lumens output (lm):	1142lm
Voltage:	220-240V	CCT:	3000K
		Efficiency:	75%
		Efficacy:	85lm/W
		CRI:	80

Notes

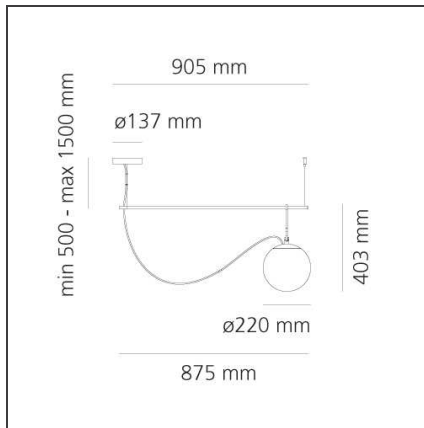
The glass ball and brass rings can slide along the rod. The light intensity can only be adjusted with dimmable bulbs. Maximum bulb length 125mm. Maximum bulb diameter: 70mm.

nh S2 22



IP20    Dimmerable: 

TECHNICAL DRAWINGS



DESIGN BY

Neri&Hu

DESCRIPTION

nh continues the research on the dynamic interaction of experience, details, materials, form, and light that Neri&Hu are pursuing with Artemide. It offers a reinterpretation of the Oriental culture and tradition with a constant contemporary approach. nh is operated intuitively as a reference to the use of lanterns, and allows freedom in creating countless lightscares. It is an essential, versatile element, suited to illuminate a variety of contexts in a simple and poetic manner. The basic element of nh, a white blown glass sphere with a brass ring, evolves with structures that support it and combine to bring light into space. The selected materials represent a perfect combination of tradition and innovation, as well as the expression of responsible and sustainable design.

FEATURES

Article Code:	1275010A	Material:	Blown glass, brushed brass
Colour:	Black/brass	Series:	Design, 2018 Artemide Collection
Installation:	Suspension		
Environment:	Indoor		

DIMENSIONS

Length:	cm 90.5	Impact Resistance:	850
Width:	cm 22		
Height:	cm 40.3		
Base Diameter:	cm 13.7		
Max Height from ceiling:	cm 190		

SOURCES NOT INCLUDED

Category:	LED	Color temperature (K):	3000K
Number:	1	CRI:	80
Watt:	15W	Efficacy:	85lm/W
Delivered lumens output (lm):	1142		
Type:	2		
Socket:	E27		

LUMINAIRE

Watt:	15W	Delivered lumens output (lm):	1142lm
Voltage:	220-240V	CCT:	3000K
		Efficiency:	75%
		Efficacy:	85lm/W
		CRI:	80

Notes

The glass ball and brass rings can slide along the rod. The light intensity can only be adjusted with dimmable bulbs. Maximum bulb length 125mm. Maximum bulb diameter: 70mm.

nh S3 14



IP20 Dimmerable:

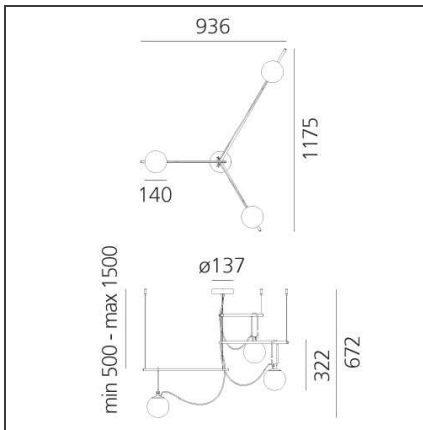
DESIGN BY

Neri&Hu

DESCRIPTION

nh continues the research on the dynamic interaction of experience, details, materials, form, and light that Neri&Hu are pursuing with Artemide. It offers a reinterpretation of the Oriental culture and tradition with a constant contemporary approach. nh is operated intuitively as a reference to the use of lanterns, and allows freedom in creating countless lightscares. It is an essential, versatile element, suited to illuminate a variety of contexts in a simple and poetic manner. The basic element of nh, a white blown glass sphere with a brass ring, evolves with structures that support it and combine to bring light into space. The selected materials represent a perfect combination of tradition and innovation, as well as the expression of responsible and sustainable design.

TECHNICAL DRAWINGS



FEATURES

Article Code:	1276010A	Material:	Blown glass, brushed brass
Colour:	Black/brass	Series:	Design, 2018
Installation:	Suspension		Artemide Collection
Environment:	Indoor		

DIMENSIONS

Length:	cm 135	Max Extension Length:	cm 135
Width:	cm 135	Glow Wire Test:	850
Height:	cm 67.2		
Base Diameter:	cm 13.7		
Max Height from ceiling:	cm 217		

SOURCES NOT INCLUDED

Category:	LED
Number:	3
Watt:	5W
Type:	2
Socket:	E14
Class:	A

LUMINAIRE

Watt:	12W	Delivered lumens output (lm):	772lm
Voltage:	220-240V	CCT:	3000K
		Efficiency:	80%
		Efficacy:	64.31lm/W
		CRI:	80

Notes

The glass balls and brass rings can slide along the rods, which can be fixed according to an orientation chosen by the customer. The light intensity can only be adjusted with dimmable bulbs. Maximum bulb length 80mm. Maximum bulb diameter: 50mm.