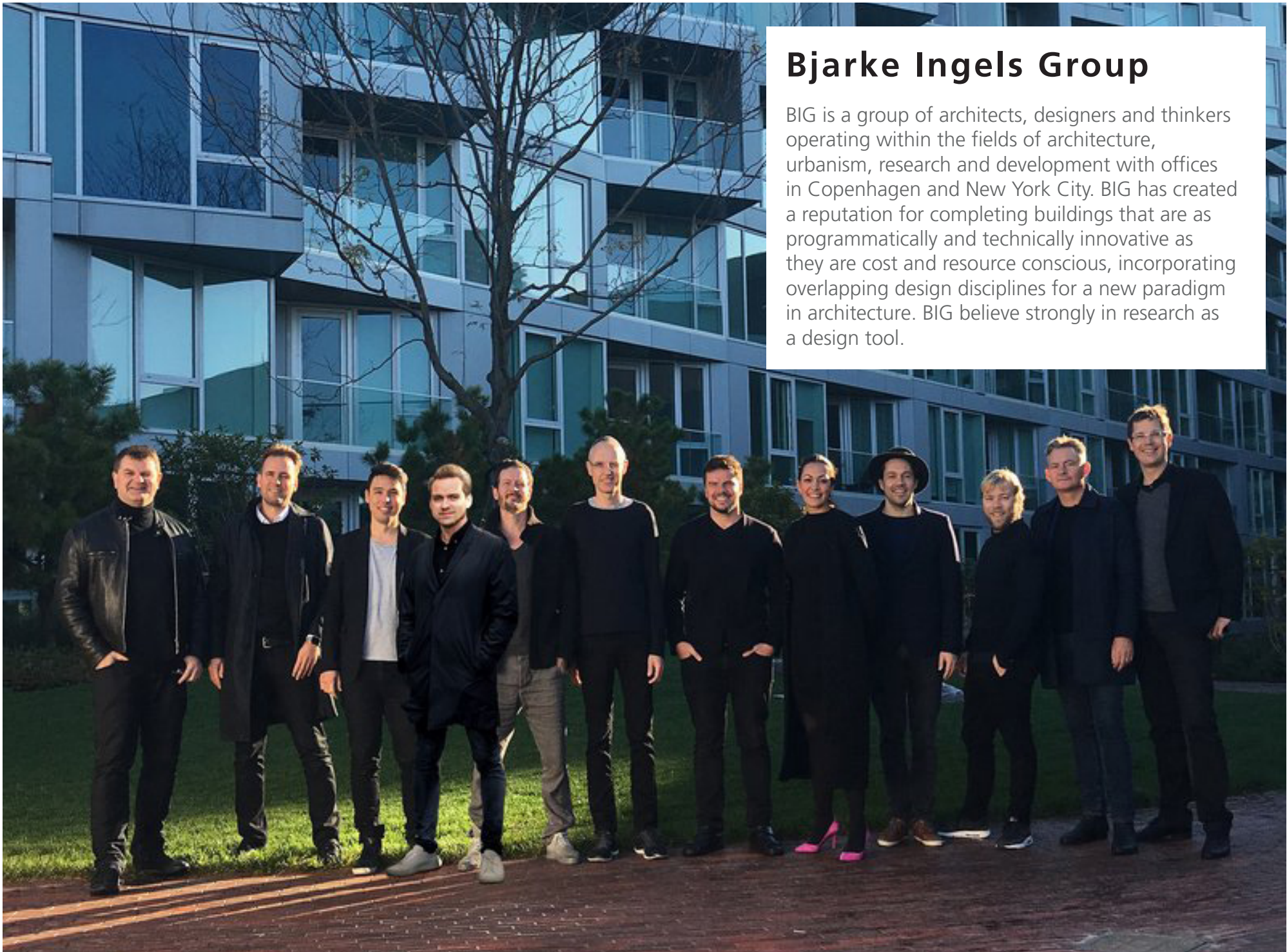


**Gople**  
Bjarke Ingels Group



## Bjarke Ingels Group

BIG is a group of architects, designers and thinkers operating within the fields of architecture, urbanism, research and development with offices in Copenhagen and New York City. BIG has created a reputation for completing buildings that are as programmatically and technically innovative as they are cost and resource conscious, incorporating overlapping design disciplines for a new paradigm in architecture. BIG believe strongly in research as a design tool.

## Murano glass.

A powerful LED light source is housed within a handblown glass diffuser, produced according to ancient Venetian glass-blowing techniques and created in Murano. The soft glass helps diffuse a soft glow, as light fills the pill shaped diffuser. The diffuser is available in three options: crystal glass with a white gradient, transparent glass with a silver or copper metallic finish.



## The human light

Gople Lamp is the perfect example of Artemide's guiding philosophy of "The Human Light". It aspires to create light that is good for the wellness of man and for the environment that has a positive impact on our quality of life.







## Savoir Faire

The human and responsible light goes hand in hand with design and material savoir faire, combining next-generation technology with ancient techniques. It is a perfect expression of sustainable design.



## Wellness

The end result is a product that delivers both visual comfort and aesthetic value, while contributing to the wellness of both man and the environment.







## Muuuz award 2018



## Dubai Sensory Experiences in Space

Area 2071



## Projects

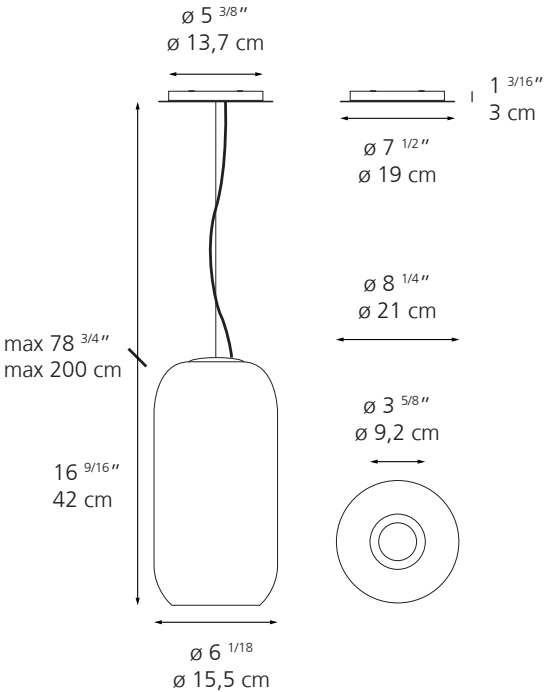
### **BIG OFFICES, COPENHAGEN, DENMARK**

Architectural Project: Offices  
2018





# Gople Lamp Suspension



**TOTAL POWER** LED (bulb non integrated only)  
Max 20W E26/A19

**DIMMING FEATURE** Dimmable

- COLOR**
- Transparent glass with white gradient
  - Transparent with chrome gradient
  - Transparent with copper gradient

**CERTIFICATIONS** c.UL.us listed

### UNITED STATES HEADQUARTERS

Artemide Inc.

250 Karin Lane

Hicksville, NY 11801

T. 631-694-9292

**Toll Free** 1-877-Art-9111

**email:** infousa@artemide.net

### CANADIAN HEAD OFFICE

Artemide Canada Ltd.

11105, rue Renaude Lapointe

Montréal, QC H1J 2T4

T. 514-323-6537

**Toll Free** 1-888-777-2783

**email:** infocanada@artemide.net

**Artemide**<sup>®</sup>

For retail sales contact information, please visit

[www.artemide.net/store-locator](http://www.artemide.net/store-locator)

For contract sales contact information, please visit

[www.artemide.net/sales-representative](http://www.artemide.net/sales-representative)