



Miconos
Ernesto Gismondi



ERNESTO GISMONDI

Ernesto Gismondi is the founder of Artemide Group. He was born in Sanremo (IM) on December 25, 1931.

In 1957 he gained a degree in Aeronautical Engineering at the Milan Polytechnic and in 1959 he gained a degree in Missile Engineering at the Professional School of Engineering in Rome.

Since the early '60s he has been devoting to the planning and production of lighting equipment, founding Studio Artemide S.a.s., from which the Artemide Group was to develop, together with designer Sergio Mazza. He became established as an international designer, participating, as one of the inventors, in "Memphis", an avant-garde movement that brought about a profound evolution in the design sector both in Italy and worldwide, and designing various successful appliances for the Group.



CONTEMPORARY

A design statement, the Miconos fixture is designed to complement either modern or more traditional interiors. Its naked design perfected with polished precision makes it a conversation piece of contemporary art.





SAVOIR-FAIRE

The savoir-faire behind Miconos' contemporary structure combines transparent hand blown glass with polished chromed metal. Its raw beauty combined with polished precision brings together the best of art and science.

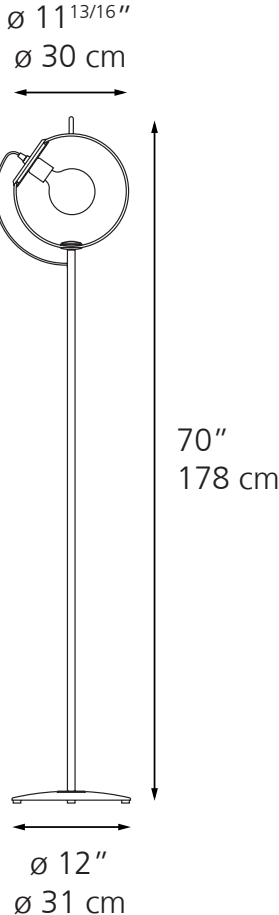


ACCENT

Miconos is a refined breed of lighting meant to be an accent piece in your home decor. Handcrafted, chrome plated finished metal or gold and handblown glass, Miconos gives any space an edgy accent.

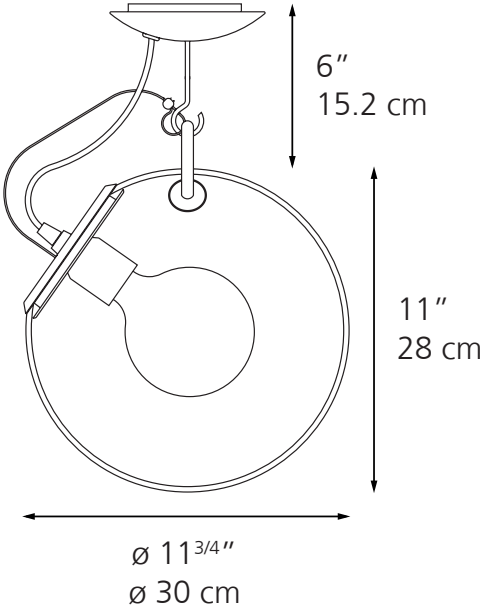


Miconos Floor



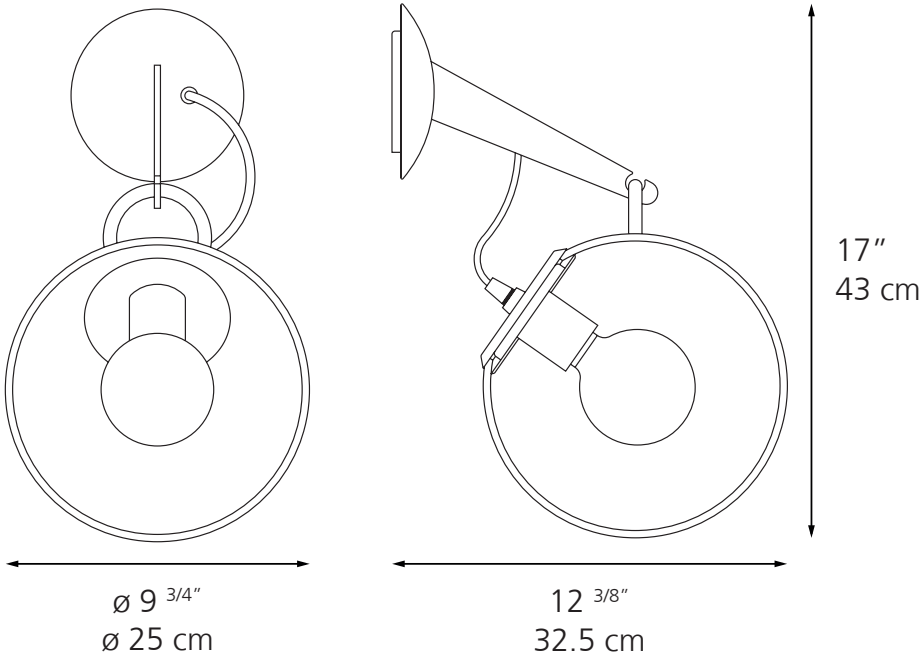
MATERIALS	Structure in polished chromed metal. Diffuser in transparent handblown glass.
EMISSION	Diffused
LIGHT SOURCE	LED, CFL, INC max 150W E26/A19 or G30
DIMMING FEATURE	Dimmer on cord
FINISH	● Polished Chrome
CERTIFICATIONS	IP20

Miconos Ceiling



MATERIALS	Structure in polished chromed metal. Diffuser in transparent handblown glass.
EMISSION	Diffused
LIGHT SOURCE	LED, INC Max 100W E26/A19 or G38
DIMMING FEATURE	Dimmable 2-Wire
FINISH	● Polished Chrome ● Gold <i>New</i>
CERTIFICATIONS	c.UL.us listed, IP20

Miconos Wall



MATERIALS

Structure in polished chromed metal.
Diffuser in transparent handblown glass.

EMISSION

Diffused

LIGHT SOURCE

LED, INC
Max 100W E26/A19 or G38

DIMMING FEATURE

Dimmable 2-Wire

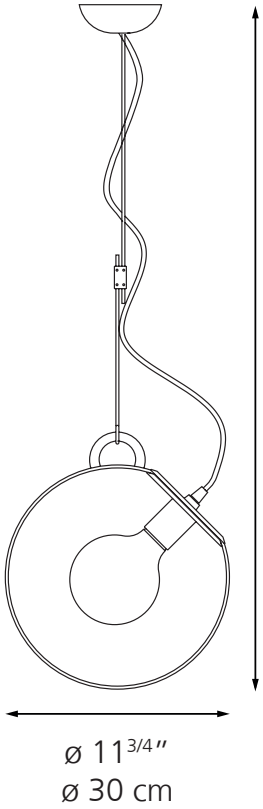
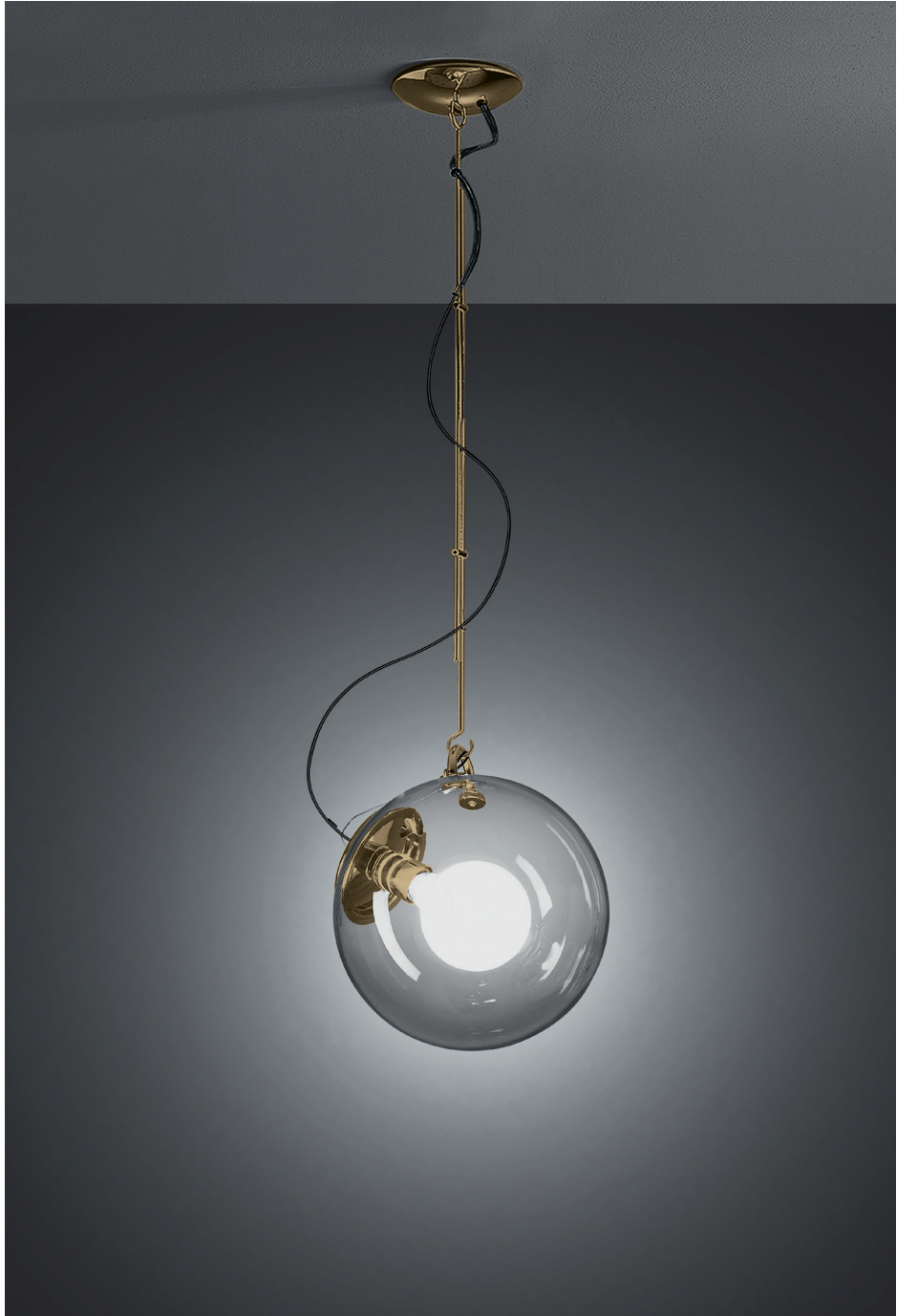
FINISH

● Polished Chrome ● Gold *New*

CERTIFICATIONS

c.UL.us listed, IP20

Miconos Suspension



MATERIALS	Structure in polished chromed metal. Diffuser in transparent handblown glass.
EMISSION	Diffused
LIGHT SOURCE	LED, CFL, INC max 150W E26/A19 or G30
DIMMING FEATURE	Dimmable 2-Wire
FINISH	● Polished Chrome ● Gold <small>New</small>
CERTIFICATIONS	c.UL.us listed, IP20



UNITED STATES HEADQUARTERS

Artemide Inc.

250 Karin Lane

Hicksville, NY 11801

T. 631-694-9292

Toll Free 1-877-Art-9111

email: infousa@artemide.net

CANADIAN HEAD OFFICE

Artemide Canada Ltd.

11105, rue Renaude Lapointe

Montréal, QC H1J 2T4

T. 514-323-6537

Toll Free 1-888-777-2783

email: infocanada@artemide.net

Artemide[®]

For retail sales contact information, please visit

www.artemide.net/store-locator

For contract sales contact information, please visit

www.artemide.net/sales-representative