



Discovery
Ernesto Gismondi

DISCOVERY
ADI COMPASSO D'ORO 2018





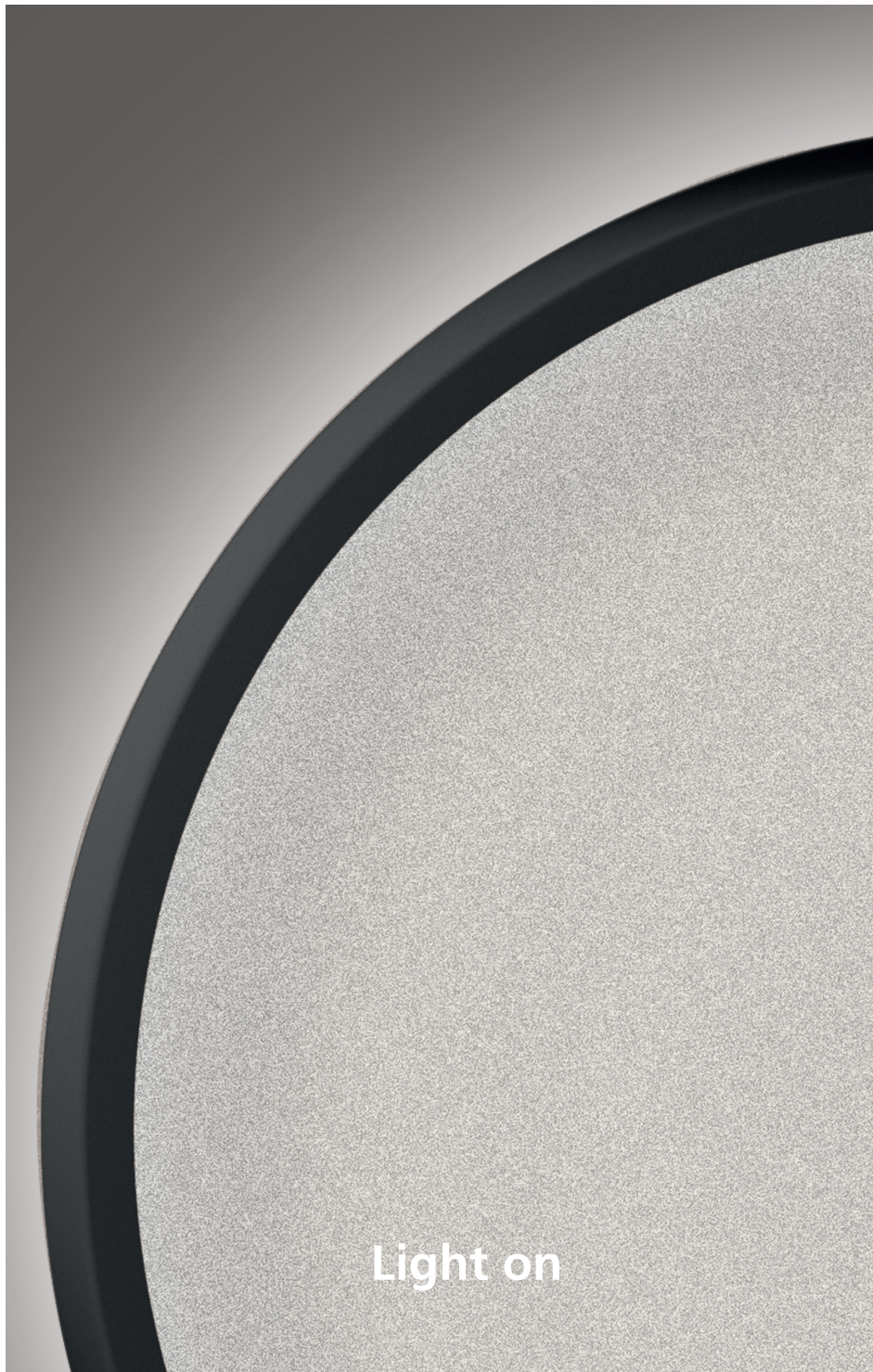
ERNESTO GISMONDI

Ernesto Gismondi is the founder of Artemide Group. He was born in Sanremo (IM) on December 25, 1931.

In 1957 he gained a degree in Aeronautical Engineering at the Milan Polytechnic and in 1959 he gained a degree in Missile Engineering at the Professional School of Engineering in Rome.

Since the early '60s he has been devoting to the planning and production of lighting equipment, founding Studio Artemide S.a.s., from which the Artemide Group was to develop, together with designer Sergio Mazza. He became established as an international designer, participating, as one of the inventors, in "Memphis", an avant-garde movement that brought about a profound evolution in the design sector both in Italy and worldwide, and designing various successful appliances for the Group.





Light on



Light off



VISUAL COMFORT

A very light aluminum ring houses an LED strip that injects the light into a specially worked surface of transparent PMMA. Discovery's geometry is calculated to maintain constant emission throughout the surface, ensuring perfect visual comfort. This unique result is obtained through Discovery's direct and indirect emissions, which produce an embracing and uniform light.

BARCHITTA CLINIC, SPINEA, ITALY

Project: Start Contractor
Photo: Start Contractor

PURE GEOMETRY

Only 17 mm thickness



TRANSPARENCY

Discovery's diffuser is composed of a perfectly transparent PMMA surface, processed with micro particles so small that the surface is hardly perceptible when the appliance is turned off. When the appliance is turned on, the transparent interior appears to fill with light by magic, as absence is turned into a perfectly diffusing emitting surface.

"To find out how to produce such a thin and light ring we turned to bicycle manufacturers, and the result was this very light luminous profile and an almost invisible lamp." **Ernesto Gismondi**

**ATTIMI BY HEINZ BECK,
MILAN, ITALY**

Project: Studio Fabio Novembre
Photo: Andrea Martiradonna





**ATTIMI BY HEINZ BECK,
MILAN, ITALY**

Project: Studio Fabio Novembre
Photo: Andrea Martiradonna



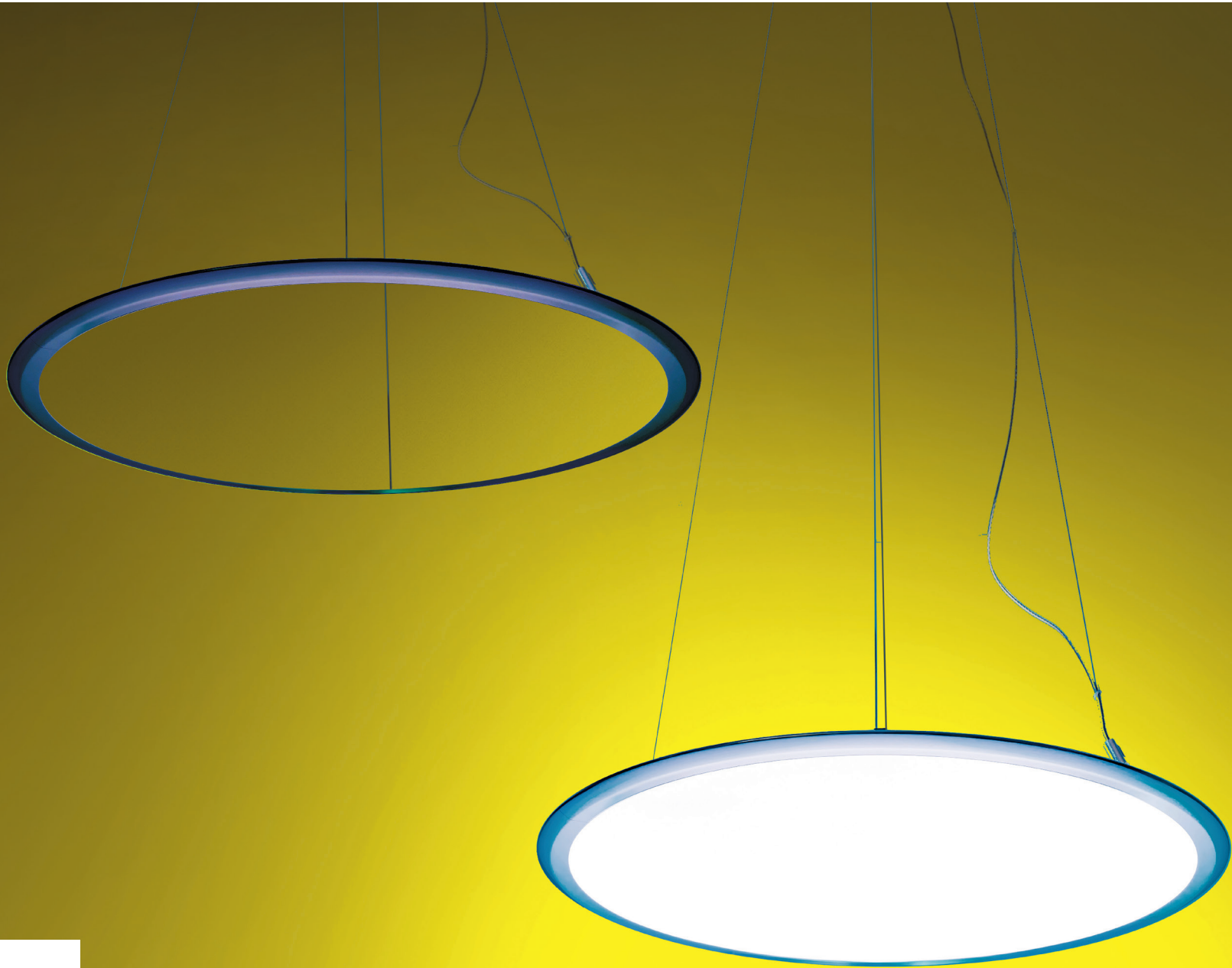




HIGH-END AND INNOVATIVE TECHNOLOGY UGR<19 COMPLIANT

(Unified Glare Rating)

Perfectly transparent surface extracting light.
Discovery fits perfectly in productive environments: Reading, writing,
training, meetings and computer-based work.

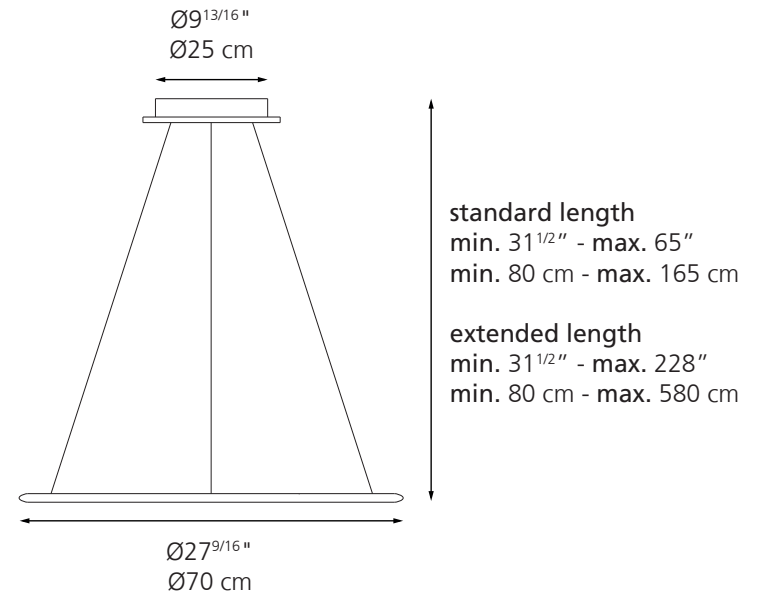


DISCOVERY SUSPENSION
Photo Credit: Pierpaolo Ferrari

Discovery Suspension



Technical data



MATERIALS	Extruded and calendered aluminum structure, PMMA optical plate diffuser with superficial laser processing
EMISSION	Diffused
LIGHT SOURCE	LED
TOTAL POWER	49.3W
DIMMING FEATURE	Dimmable 2-Wire
DELIVERED LUMENS	2835.48lm
CCT	3000K
CRI	>90
FINISH	○ Transparent diffuser ● Polished aluminum rim
CERTIFICATIONS	c.UL.us listed, IP20



BABILA HOSTEL, MILAN

Architectural Project: Studio ARX2 arch. Giancarlo Noce, arch. Giovanni Picolli and arch. Angela Natale
Photo Credit: Riccardo Gasperoni
2017



DISCOVERY VERTICAL SUSPENSION
Photo Credit: Pierpaolo Ferrari



Discovery vertical Ø70



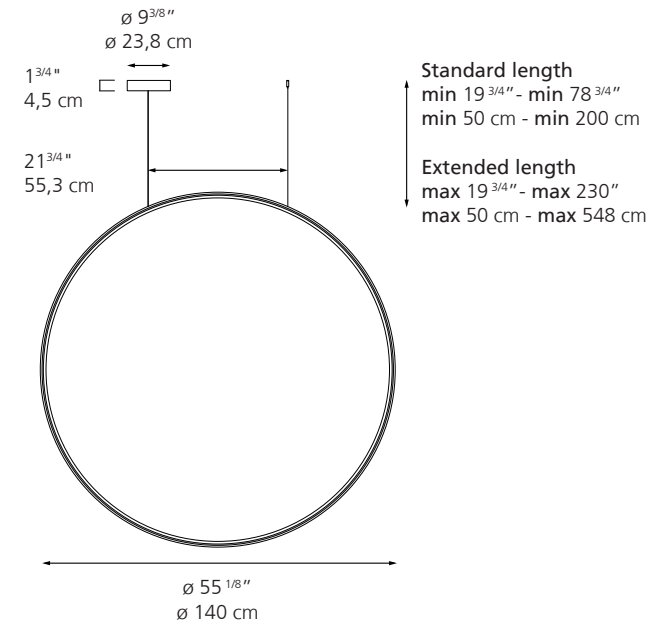
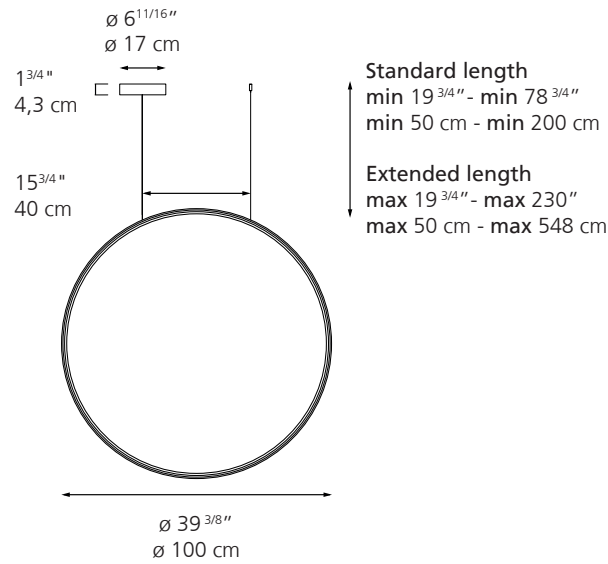
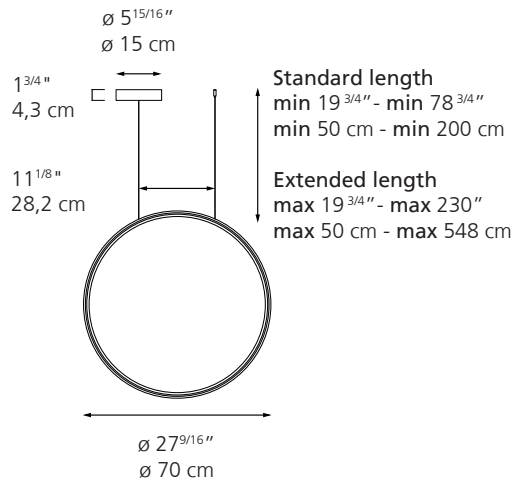
Discovery vertical Ø100



Discovery vertical Ø140

Discovery Vertical Suspension

Technical data



	Ø70	Ø100
MATERIALS	Extruded and calendered aluminum structure, PMMA optical plate diffuser with superficial laser processing	Extruded and calendered aluminum structure, PMMA optical plate diffuser with superficial laser processing
TOTAL POWER	41W	62W
DELIVERED LUMENS	5163lm	7777lm
CCT	3000K	3000K
CRI	>90	>90
FINISH	<input type="radio"/> Transparent diffuser <input checked="" type="radio"/> Polished aluminum rim	<input type="radio"/> Transparent diffuser <input checked="" type="radio"/> Polished aluminum rim
CERTIFICATIONS	IP20	IP20

	Ø140
MATERIALS	Extruded and calendered aluminum structure, PMMA optical plate diffuser with superficial laser processing
TOTAL POWER	83W
DELIVERED LUMENS	10325lm
CCT	3000K
CRI	>90
FINISH	<input type="radio"/> Transparent diffuser <input checked="" type="radio"/> Polished aluminum rim
CERTIFICATIONS	IP20









Light off

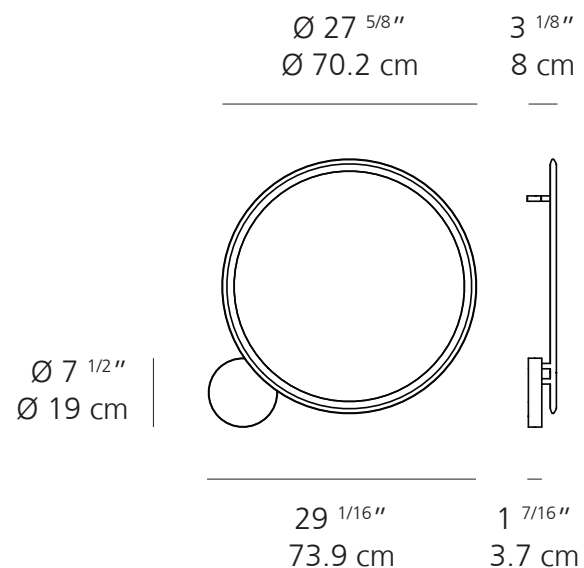


Light on

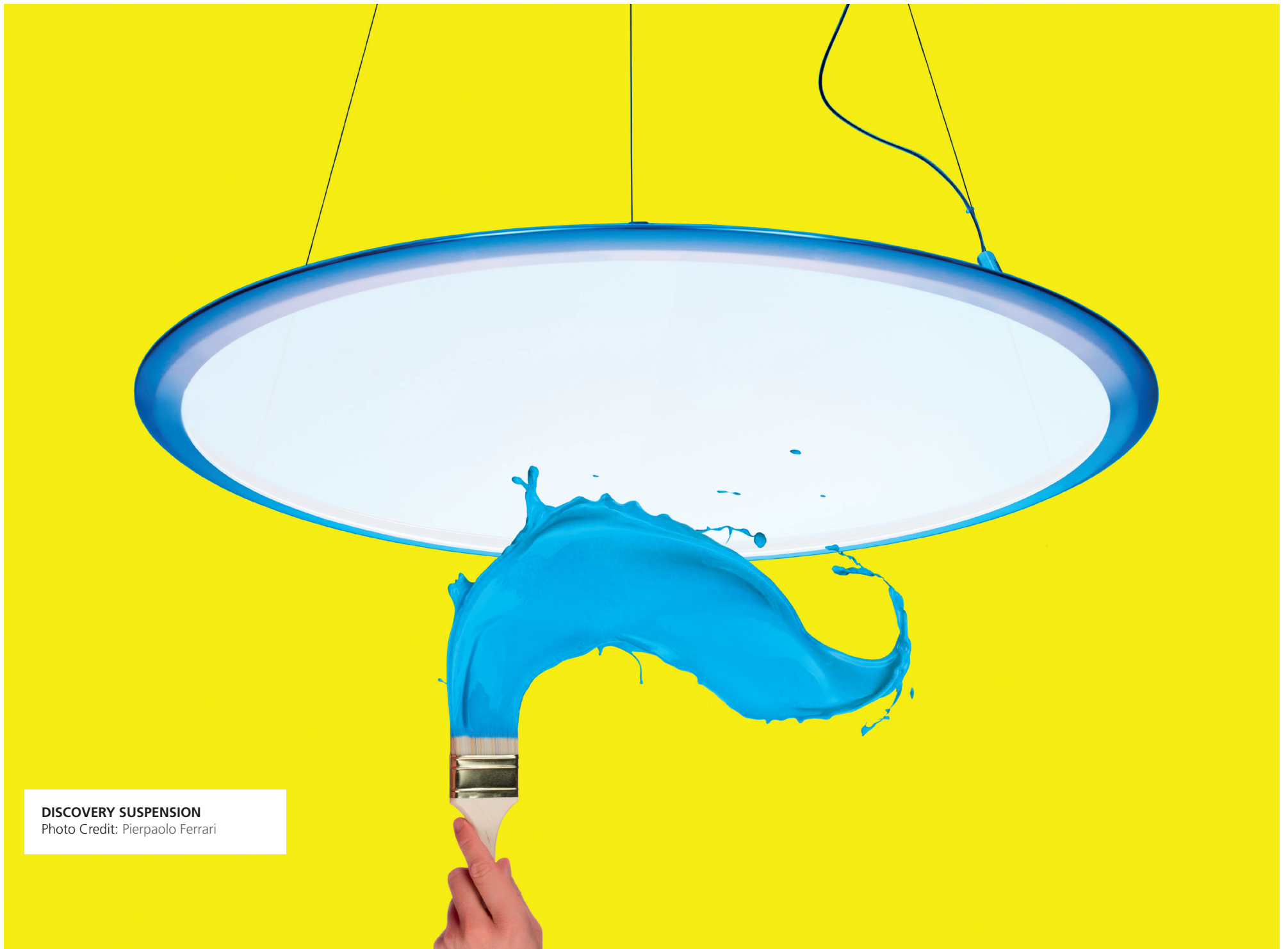
Discovery Wall/Ceiling



Technical data



MATERIALS	Extruded and calendered aluminum structure, PMMA optical plate diffuser with superficial laser processing
EMISSION	Direct / Indirect
LIGHT SOURCE	LED
TOTAL POWER	49.3W
DIMMING FEATURE	Dimmable 2-Wire
DELIVERED LUMENS	4397lm
CCT	3000K
CRI	>90
FINISH	<ul style="list-style-type: none"> ○ Transparent diffuser ● Polished aluminum rim
CERTIFICATIONS	c.UL.us listed, IP20, ADA compliant



DISCOVERY SUSPENSION
Photo Credit: Pierpaolo Ferrari

UNITED STATES HEADQUARTERS

Artemide Inc.

250 Karin Lane

Hicksville, NY 11801

T. 631-694-9292

Toll Free 1-877-Art-9111

email: infousa@artemide.net

CANADIAN HEAD OFFICE

Artemide Canada Ltd.

11105, rue Renaude Lapointe

Montréal, QC H1J 2T4

T. 514-323-6537

Toll Free 1-888-777-2783

email: infocanada@artemide.net

Artemide[®]

For retail sales contact information, please visit

www.artemide.net/store-locator

For contract sales contact information, please visit

www.artemide.net/sales-representative