



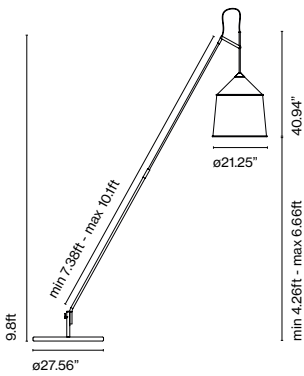
# Jaima

## Joan Gaspar

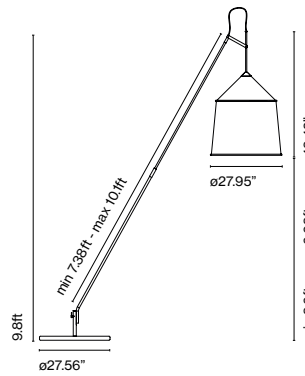
**marset**



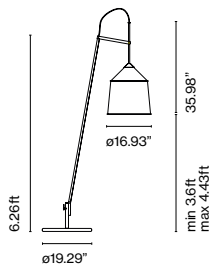
**Jaima P307 + Shade 54**



**Jaima P307 + Shade 71**



**Jaima P207 + Shade 43**



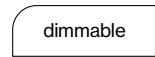
**WARNING.** California Proposition 65 Warning for California Consumers. This product can expose you to chemicals including wood dust and lead which are known to the State of California to cause cancer or birth defects or other reproductive harm. For more information go to [www.P65Warnings.ca.gov](http://www.P65Warnings.ca.gov)

**Jaima P207 + Shade 43**

Light Source: LED COB 120 VAC 15W 2700K CRI90 1022lm  
Luminaire: 120VAC TRIAC 15W 528lm  
LED included  
Cable length - 9.2ft

Shade made of textielene with the inner part always in white. Stainless steel structure in lacquered grey.

- Beige
- Grey



**Jaima P307 + Shade 54**

Light Source: LED COB 120 VAC 15W 2700K CRI90 1022lm  
Luminaire: 120VAC TRIAC 15W 513lm  
LED included  
Cable length - min 6.6ft max 9.2ft

Suitable for wet locations

**Jaima P307 + Shade 71**

Light Source: LED COB 120 VAC 15W 2700K CRI90 1022lm  
Luminaire: 120 VAC TRIAC 15W 530lm  
LED included  
Cable length - min 6.6ft max 9.2ft

- [Download](#) Assembly instructions
- [Download](#) Photometric data
- [Download](#) 2D
- [Download](#) 3D

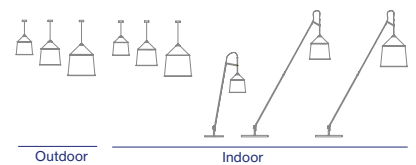
Black electrical cord

**Watch the video**

[marsetusa@marset.com](mailto:marsetusa@marset.com)

Fixture not supplied with integrated switch/dimmer, control via switched receptacle or hardwired connection

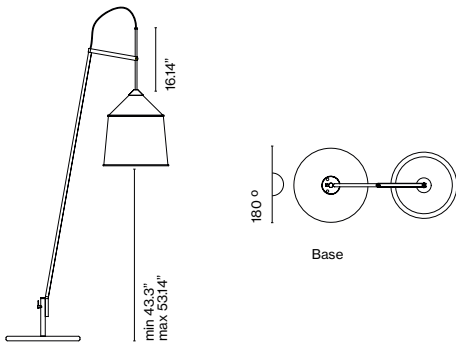
**Collection**



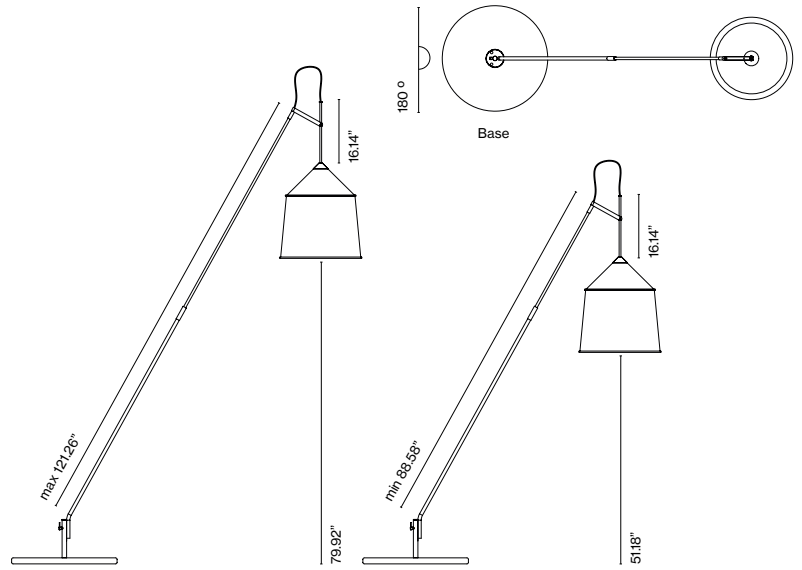
Through the language of textiles, Joan Gaspar has designed a light of flexible, ductile materials that sifts the light as readily as it moves with the wind. In the Jaima collection, the light is the shade and weaver of emotions.

# Range of positions

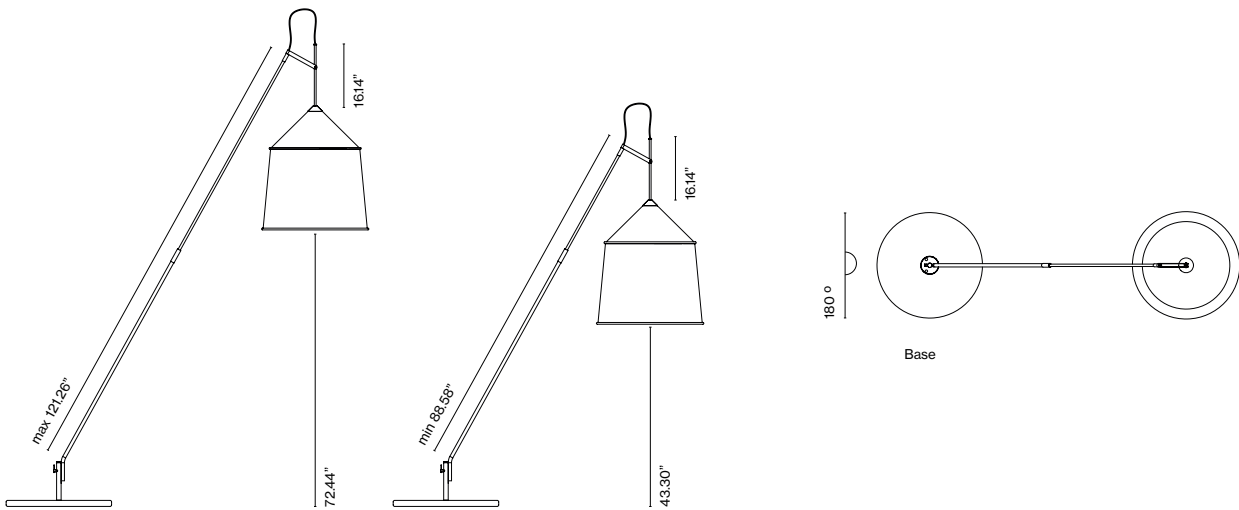
Jaima P207 with shade 43



Jaima P307 extensible with shade 54



Jaima P307 extensible with shade 71



Base



Fixed stem



Shade finishes