



Curiosity

Daide Oppizzi





DAVIDE OPPIZZI

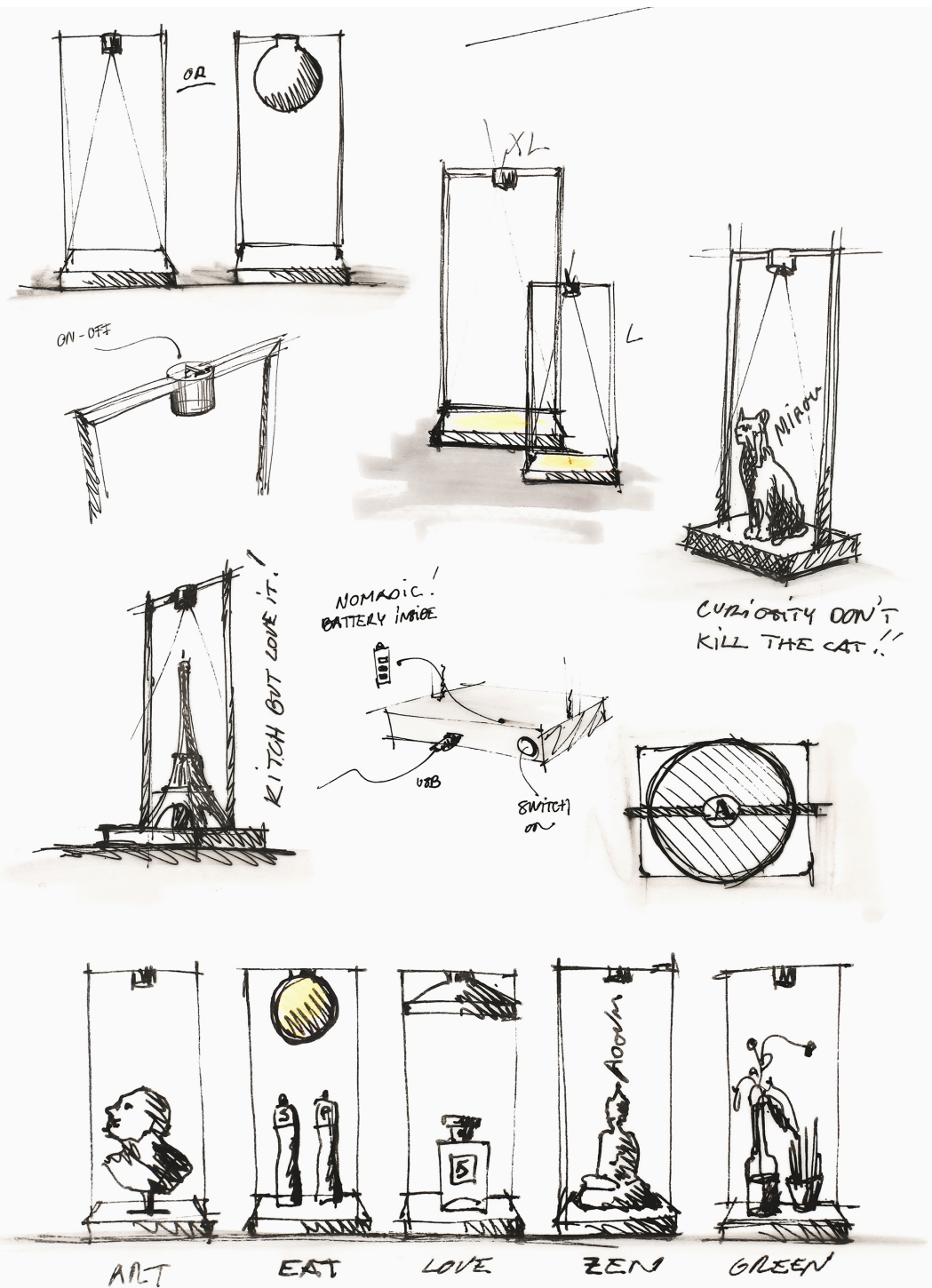
Davide Oppizzi founded the agency DCUBE.swiss in Geneva in 2001. He specializes in the creation and development of high-quality projects related to lighting, green-tech and architecture. He is focused on the art of lighting, the only way, in his words, to sublimate the matter he works in.

Davide Oppizzi's imagination, his emotional vision of the tangible and intangible world, as well as his expertise in niche areas has brought him to the forefront of the international scene. Global prestige brands such as Chanel, Louis Vuitton and Graff have entrusted him with projects that illustrate the profound link between a being and the surrounding nature, the nature that feeds their inspiration at all times. Oppizzi possesses a rare and unique mastery of two worlds that appear paradoxical at first : technology and creative sensitivity.

CABINET OF CURIOSITY

"Curiosity - inspired by the universe of the «cabinet of curiosity» - was born from the desire to offer a small exhibition to all those who wish to showcase an object under its light. By nature, it is intended for any sector, both private and professional : museums, display of private collections or of objects on a restaurant table. Everyone is free to imagine its own presentation on the lamp stage."

Davide Oppizzi





PORTABLE

Curiosity is a new portable lamp that functions not only as a work of art, but also as a spotlight to showcase the spaces we live in or the objects that can be housed inside it. Curiosity can bring its space of light everywhere, making it ideal for all interior design scenarios. The lamp can operate up to 16 hours on a single charge.



VERSATILE

With its small removeable diffuser, Curiosity can become an EXPO or a DECO lamp. It is available in 2 sizes that can be used to showcase smaller or larger objects. The lamp's simple design showcases any object that is placed inside or makes a statement on its own.





SPOTLIGHT

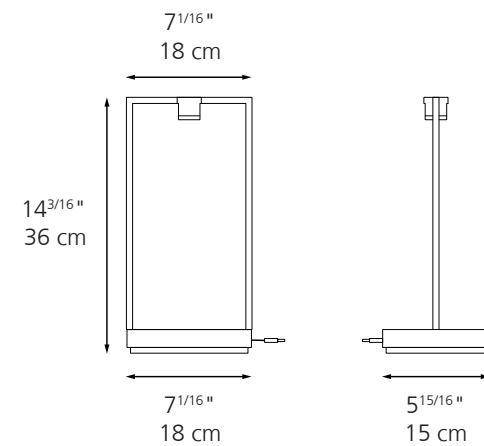
Curiosity brings its space of light anywhere. It is a controlled light, which with the addition of a white glass sphere with amber light creates a warm atmosphere. Curiosity is able to build mobile displays, making it a perfect tool for retail, restaurants or museums where it creates an intimate atmosphere and allows for a space to be easily changed.



CURIOSITY 36 TABLE



TECHNICAL DATA



EMISSION	Direct
LIGHT SOURCE	LED Integrated
DELIVERED LUMENS	360lm
LIGHT OUTPUT RATIO	100lm/W
TOTAL POWER	3.6W
CCT	3000K
CRI	>80
LIFE EXPECTANCY	50000Hrs
CONTROL TYPE	Dimmable (on base)
VOLTAGE	120-277V
FINISH	● Black
FEATURES	3 hours fast charge

3 light intensities:
 1.7W (8 hours battery life)
 1.2W (11 hours battery life)
 0.5W (26 hours battery life)



UNITED STATES HEADQUARTERS

Artemide Inc.

250 Karin Lane

Hicksville, NY 11801

T. 631-694-9292

Toll Free 1-877-Art-9111

email: infousa@artemide.net

CANADIAN HEAD OFFICE

Artemide Canada Ltd.

11105, rue Renaude Lapointe

Montréal, QC H1J 2T4

T. 514-323-6537

Toll Free 1-888-777-2783

email: infocanada@artemide.net

Artemide[®]

For retail sales contact information, please visit

www.artemide.net/store-locator

For contract sales contact information, please visit

www.artemide.net/sales-representative