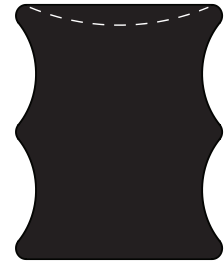


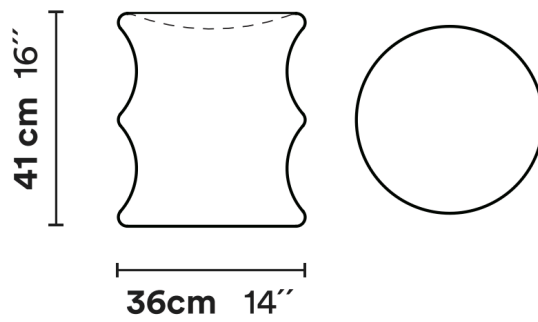
# Mushroom Stool Double

Designed by Eero Aarnio 1961

The Rattan Mushroom was the very first stool made by the Finnish innovator, and his first commercial success. The Mushroom is a multifunctional furniture piece, as it works both as a stool as well as a small table. The Mushroom is made of woven rattan with an aluminium base. It is also available in black poly-rattan suitable for outdoors.



**Dimensions:** 36 cm diameter x 41 cm height



**Weight:** Net weight: 4 kg  
Gross weight: 6 kg

**Materials:** 3mm rattan / polyrattan  
Aluminium base

**Colours:**  Natural Rattan  Black Poly-Rattan

EERO  
AARNIO  
ORIGINAL  
ALS