



Giunone

Design Claudio Bitetti



Giunone is a sideboard with MDF structure lacquered in all colors as per sample card or plated in heat-treated larch wood. Container with strong and austere lines, of great rigor. Cylindrical volumes distinguish the base interpreting each container with personality. The open decorative element is an accessory to be placed on the top.

MATERIALS, COLORS AND FINISHES

MATERIALS MATCH

Materials can show differences in colour from one lot to another. Mogg srl declines any responsibility in the case of any colour differences for materials and does not guarantee the exact colour correspondence between this sample and the finished product. Mogg srl reserves the right to make the products and finishing the changes it deems appropriate, at any time and without notice.

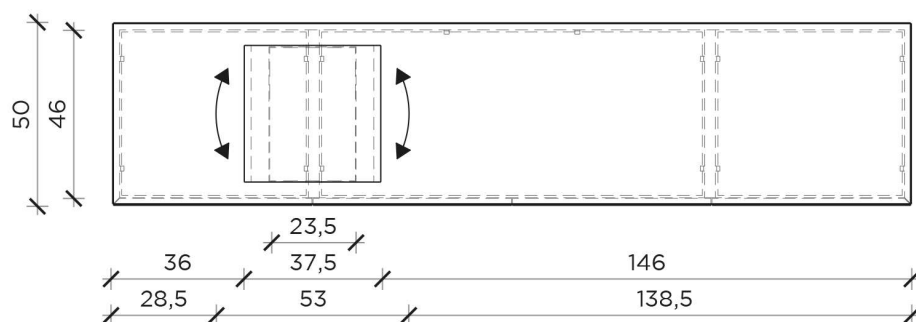
RAL COLORS

The colors shown are indicative. A check with an official RAL folder is always recommended.

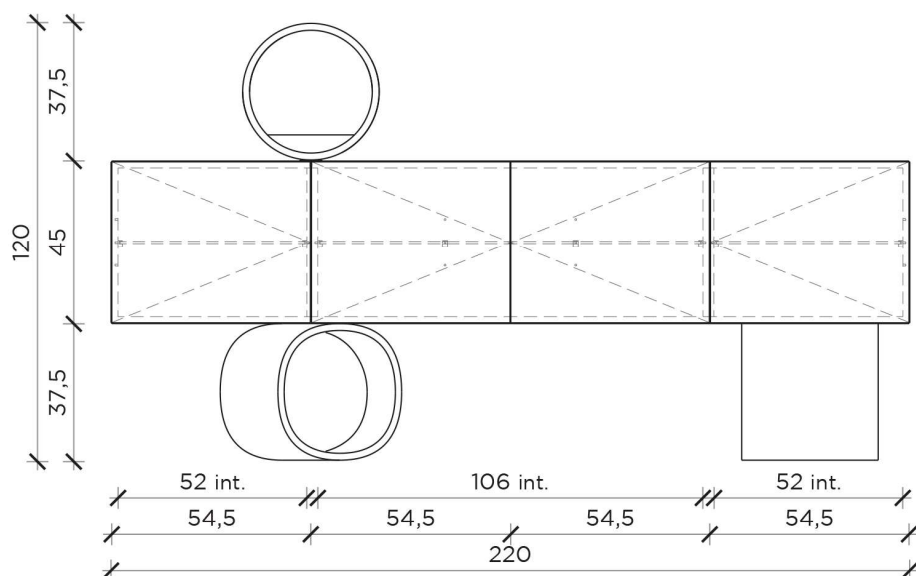
Finishing



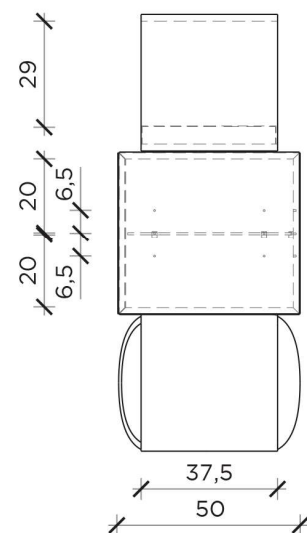
PIANTA | PLAN



FRONTE | FRONT



LATO | SIDE



GIUNONE

Credenza | Sideboard

Designer: Claudio Bitetti
 Anno | Year: 2020
 Materiali | Materials: Struttura in MDF laccata o in essenza con vano a giorno orientabile | Lacquered or veneered MDF structure with orientable open compartment