



Manolo

Design Idelfonso Colombo



Manolo is a shoe cabinet with burnished metal structure and drawers in solid ash wood stained moka colour. Manolo is born from the need to give dignity to a product considered always secondary and poor. Manolo is a new concept of shoe cabinet, a stylish and functional product. Finally a shoe rack that should not be hidden but that wants to be exhibited in the domestic environment.

MATERIALS, COLORS AND FINISHES

MATERIALS MATCH

Materials can show differences in colour from one lot to another. Mogg srl declines any responsibility in the case of any colour differences for materials and does not guarantee the exact colour correspondence between this sample and the finished product. Mogg srl reserves the right to make the products and finishing the changes it deems appropriate, at any time and without notice.

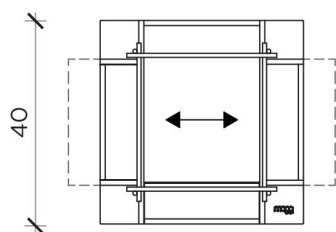
Structure



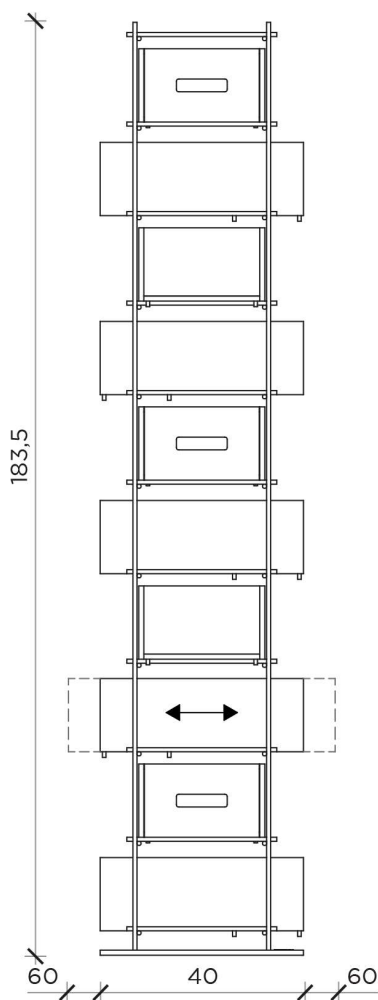
Drawers



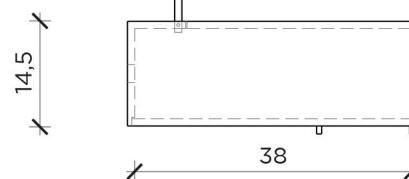
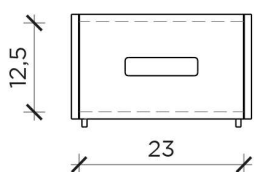
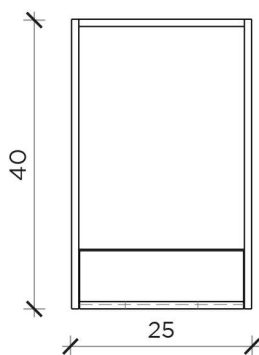
PIANTA | PLAN



FRONTE | FRONT



Contenitore | Storage unit



MANOLO

Scarpiera | Shoe rack

Designer: Idelfonso Colombo
 Anno | Year: 2018
 Materiali | Materials: Scarpiera di metallo con contenitori in legno | Metal shoe rack with wood storage units