

COMPENDIUM

design Daniel Rybakken



Type: Suspension

Lamps: LED 43W 2700 or 3000K CRI 90
 dimmable 0-10V @ 120/277V~
 dimmable trailing edge and leading edge only @ 120V~
 black finish: 1015 lm
 alu/brass finishes: 1290 lm

Product use: Indoor

Materials: Profile in extruded aluminum anodized in various colors.

Colors: Black, brass, aluminum

Description : Compendium stands out for the evocative graphic-sculptural impact of their slim silhouette.

Marking:

Reference code: Structure at 3000K

D81B	1D810B000030	brass
	1D810B000020	alu
	1D810B000001	black

Structure at 2700K

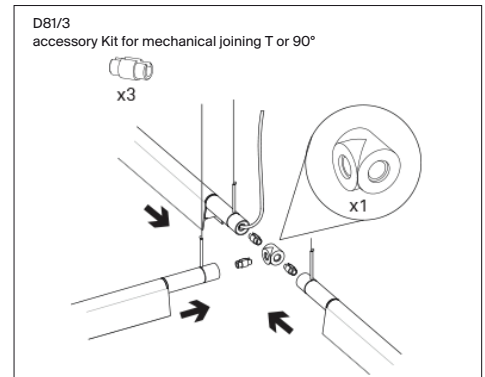
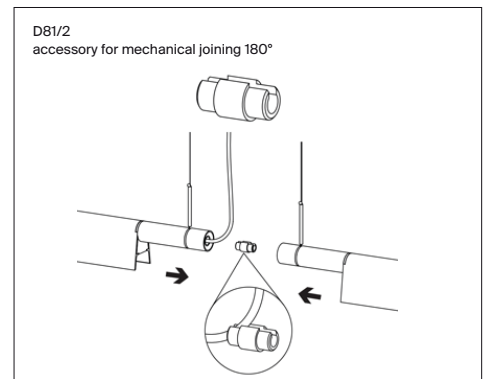
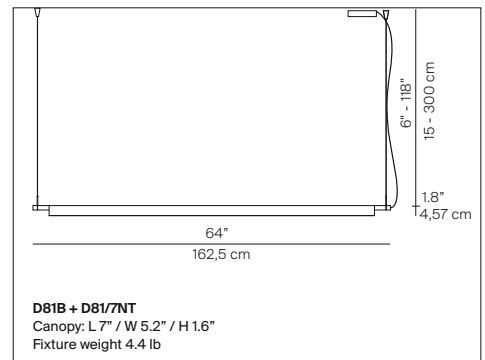
D81BW	1D810BW000030	brass
	1D810BW000020	alu
	1D810BW000001	black

Canopy

D81/7NT	1D81N/7T0500	white (NEW)
---------	--------------	-------------

Accessory

	1D810/200001	black
	1D810/300001	black



⁽¹⁾ The LED lamps cannot be changed in the luminaire.
 Power consumption by device