

# BONALDO

## Asia

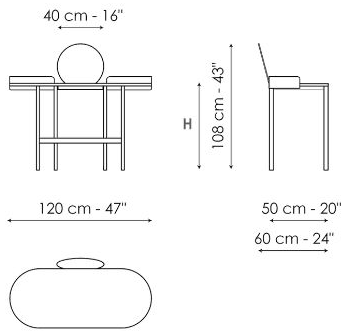


The Asia model is a multifunctional piece of furniture. It can turn from a desk into a vanity table with the addition of a mirror. The top features only rounded lines, and it is available in either marble or ceramic, while the structure base is made

of metal. The idea behind the modern writing desk is a blend of form and function, a stylistic sophistication expressed through a daily commitment to harmony.



# Data sheet

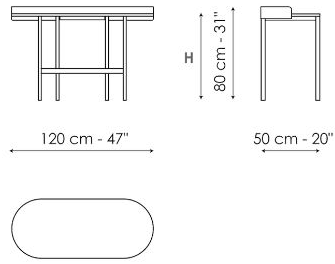


## Asia - vanity

Width: 120cm

Depth: 60cm

Height: 108cm



## Asia - home office

Width: 120cm

Depth: 50cm

Height: 80cm

# Finishes

## TOP

### Marble



**Marble**  
Calacatta



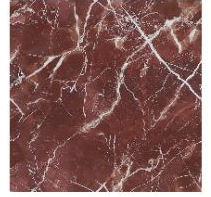
**Marble**  
Carrara



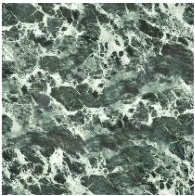
**Marble**  
Emperador



**Marble**  
Marquina



**Marble**  
Rosso Carpazi



**Marble**  
Saint Denis



**Marble**  
Fior di bosco

### Ceramic



**Silk finish ceramic**  
Calacatta macchia  
vecchia



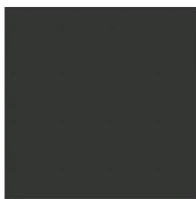
**Mat ceramic**  
Laurent

# STRUCTURE

Plus Metal



**Painted metal**  
Mat bronze



**Painted metal**  
Mat lead



**Painted metal**  
Mat pearl gold

---

You can find the complete collection of Bonaldo fabrics and leathers on the website <https://www.bonaldo.biz/>

