

# BONALDO

## Kriss

Designer: **Maurizio and Silvia Varsi**

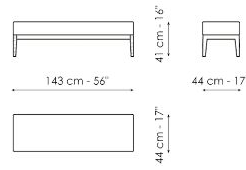
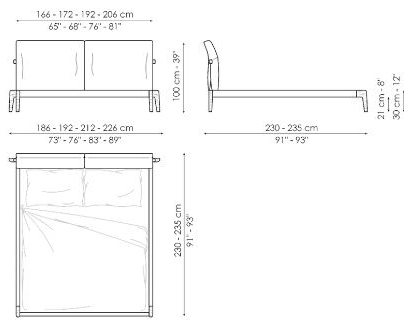


Kriss is a collection consisting of the romantic modern luxury design bed and coordinated accessories, a concept that focuses on the contrast and perfect harmony of fascinating materials: the elegant softness of fabric combined with the traditional solidity of wood. The modern wooden design bed's structure becomes a visible and characterizing element, while the cushions that make up the headrest provide extra

comfort. The result of a continuous aesthetic evolution, the sophisticated combinations of fabric and wood suggest the will to create elegant shapes and solutions, enhancing the qualities of both materials and giving a warm, welcoming and exclusive look. In addition to the double bed, a bench is also available in the Kriss collection.



# Data sheet



## Kriss

Width: 186-192-212-226cm

Depth: 230-235cm

Height: 100cm

## Kriss bench

Width: 143cm

Depth: 44cm

Height: 41cm

# Finishes

## BASE

### Wood



**Solid wood**  
American walnut



**Solid wood**  
Coal ash

---

You can find the complete collection of Bonaldo fabrics and leathers on the website <https://www.bonaldo.biz/>

