

# BONALDO

## Pepita

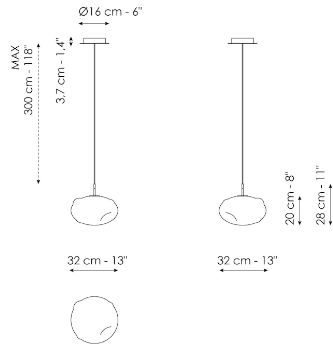


Pepita is a collection of lamps characterized by a wide variety of finishes, sizes and combinations and inspired by the shape of gold nuggets. As its name suggests, Pepita calls to mind a multifaceted piece of precious metal, which changes and transforms depending on the perspective. In the same way, it is capable of transforming the space thanks to its shape which is deliberately irregular, and thanks to the finishes of the glass lampshade which characterize the personality of the lamp, thereby creating different lighting atmospheres

depending on the compositions. Pepita is ethereal in the transparent version, while it conveys a sense of elegance of times past in the silk version or gives a touch of color and warmth in the copper version. Pepita is available as a suspension lamp (single glass and in three compositions: three glass, five glass and seven glass), as a floor lamp and as a table lamp. The glass lampshade is available in three different sizes.

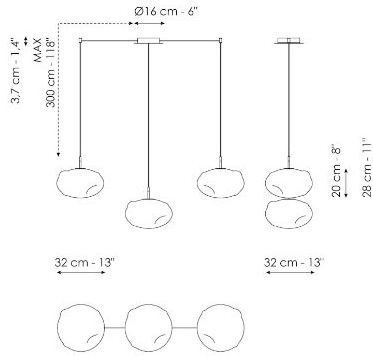


# Data sheet



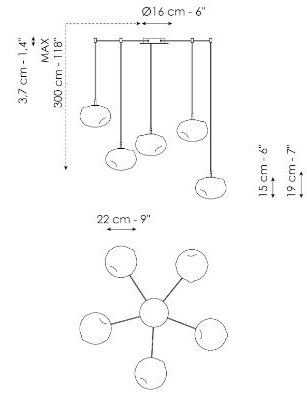
## Pepita - 1 light

Width: 32cm  
Depth: 32cm  
Height: 28cm



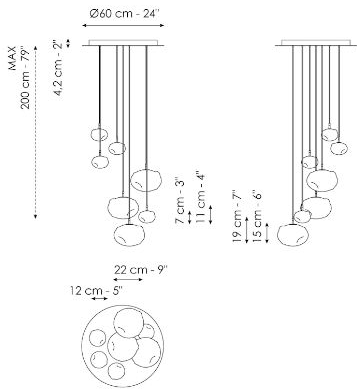
## Pepita - 3 lights

Width: 32cm  
Depth: 32cm  
Height: 28cm



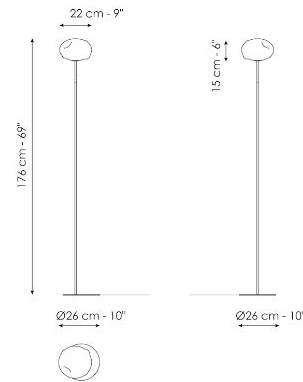
## Pepita - 5 lights

Width: 22cm  
Depth: 22cm  
Height: 19cm



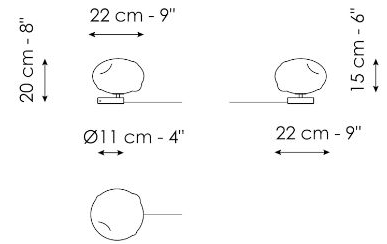
## Pepita - 7 lights

Width: 60cm  
Depth: 60cm  
Height: cm



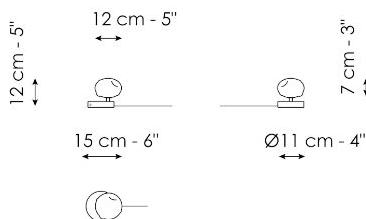
## Pepita - floor lamp

Width: 26cm  
Depth: 26cm  
Height: 176cm



## Pepita - large table lamp

Width: 22cm  
Depth: 22cm  
Height: 20cm



## Pepita - small table lamp

Width: 15cm  
Depth: 11cm  
Height: 12cm

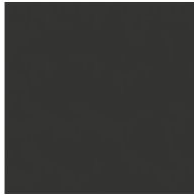
# Finishes

## STRUCTURE

Plus Metal



**Painted metal**  
Mat bronze



**Painted metal**  
Mat lead

---

## DETAIL

Plus Metal

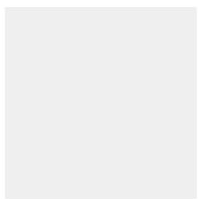


**Painted metal**  
Mat brass

---

# LAMPSHADE

Transparent Glass



**Glass**  
Transparent

Glass



**Glass**  
Silk



**Glass**  
Copper

---

Materials, fabrics, leathers, colors and finishes are approximate and may slightly differ from actual ones. You can find the complete collection of Bonaldo fabrics and leathers on the website

